



XLCT

Low Clearance Tool

HYTORC's low clearance workhorse. Since 1992, the signature red housing has represented quality, durability and reliability on job sites in every major industry. From the tallest roller coasters to the world's largest bridges, the XLCT has the power to get the job done.

Lock-Up Release

08.01



Like the MXT, the XLCT features a release lever that allows you to release the tool after torquing for easy removal. (Also found on Stealth limited-clearance series)

Zero-Slip Ratchet

08.02



The XLCT series features a Zero-Slip ratchet for more powerful breakout and faster tightening. The secondary pawl inside the tool prevents the ratchet from turning opposite of the direction it is being driven.

Multi-Use Accessories

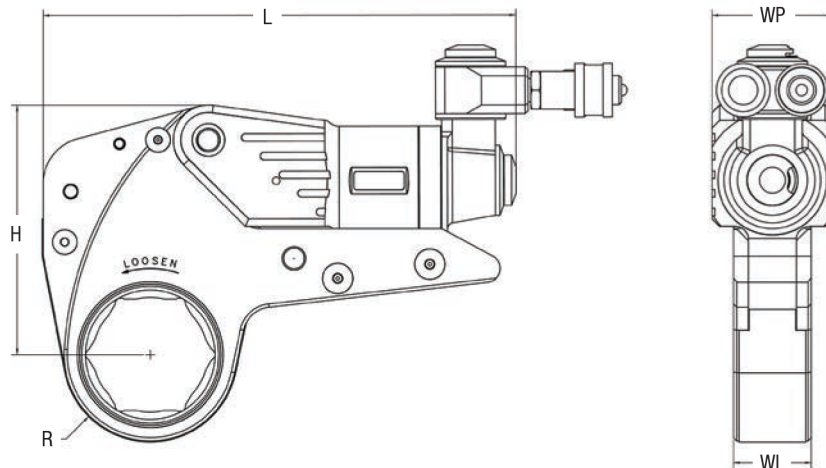
08.03



The XLCT series is available with interchangeable cartridges for 6-point hex, 12-point hex, allen drives, square drives, open spanners and many other configurations to simplify the most challenging bolting jobs.

Technical Data

08.04



Model	H (mm)	WP (mm)	WL (mm)	L (mm)	R (mm)	Weight (Kg)	Torque (Nm)	
							MIN.	MAX.
XLCT - 2	102.10	50.80	31.80	186.20	26.20 to 44.70	0.92	329.50	2,287.30
XLCT - 4	136.14	65.53	42.41	258.82	33.80 to 58.92	1.92	786.40	5,226.70
XLCT - 8	170.20	82.04	53.10	312.20	45.00 to 73.40	3.24	1,5498.70	11,051.30
XLCT - 14	204.21	98.60	63.50	312.20	58.92 to 88.13	5.12	2,725.19	18,168.00
XLCT - 18	230.63	111.30	71.90	364.23	66.54 to 98.30	6.73	3,782.73	25,896.12
XLCT - 30	272.03	131.31	85.09	427.22	78.00 to 121.92	10.80	6,208.30	42,011.40