



Stealth

Low Clearance Tool

The Stealth series is the industry's most advanced limited clearance hydraulic bolting system. The slim design fits where other tools will not and the dual piston power head provides unparalleled speed and power. Also compatible with the HYTORC Washer and HYTORC Nut, the Stealth series can conquer bolting applications from general maintenance to critical pathways.

Hands-Free Operation

07.01



For the highest level of safety on industrial bolting jobs, HYTORC recommends hands-free operation. The Stealth Lock-On adapter allows for hands-free usage with or without the HYTORC Washer.

Dual Piston Power

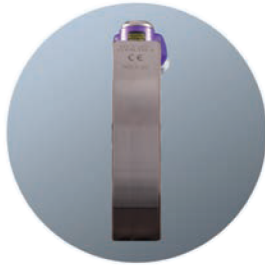
07.02



The patented design of the Stealth's dual pistons provides more speed than any other limited clearance tool in the market.

Slim Design

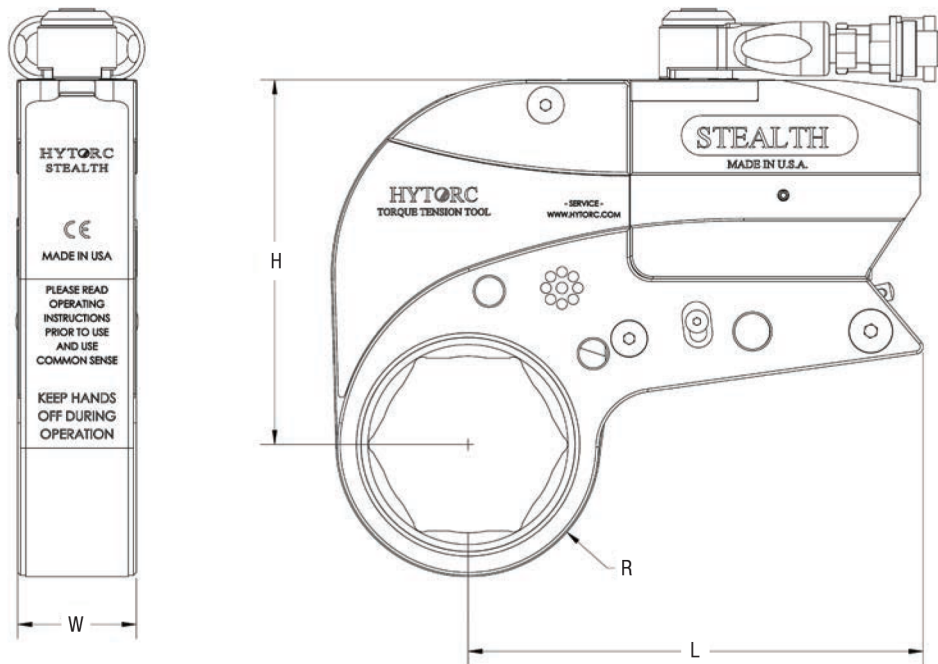
07.03



The Stealth was the first industrial bolting system in the market to feature a continuous slim body design that fits in even the tightest confines.

Technical Data

07.04



Model	H (mm)	W (mm)	L (mm)	R (mm)	Weight (Kg)	Torque (Nm)	
						MIN.	MAX.
Stealth - 2	106.93	31.80	140.50	26.20 to 44.70	1.81	376.91	2,534.02
Stealth - 4	137.92	42.20	166.62	33.80 to 58.92	2.00	818.91	5,450.40
Stealth - 8	162.60	55.40	203.20	45.00 to 73.40	3.03	1,625.62	10,824.90
Stealth - 14	201.70	63.50	241.30	58.92 to 81.13	4.71	2,854.00	19,327.20
Stealth - 22	233.20	73.91	274.32	66.50 to 98.30	7.00	4,406.40	29,658.51
Stealth - 36	274.60	86.61	322.83	78.00 to 121.92	10.93	6,666.55	47,076.71