

Maximum punching speed

Dimensions of Royal Master Hydraulic Punchers

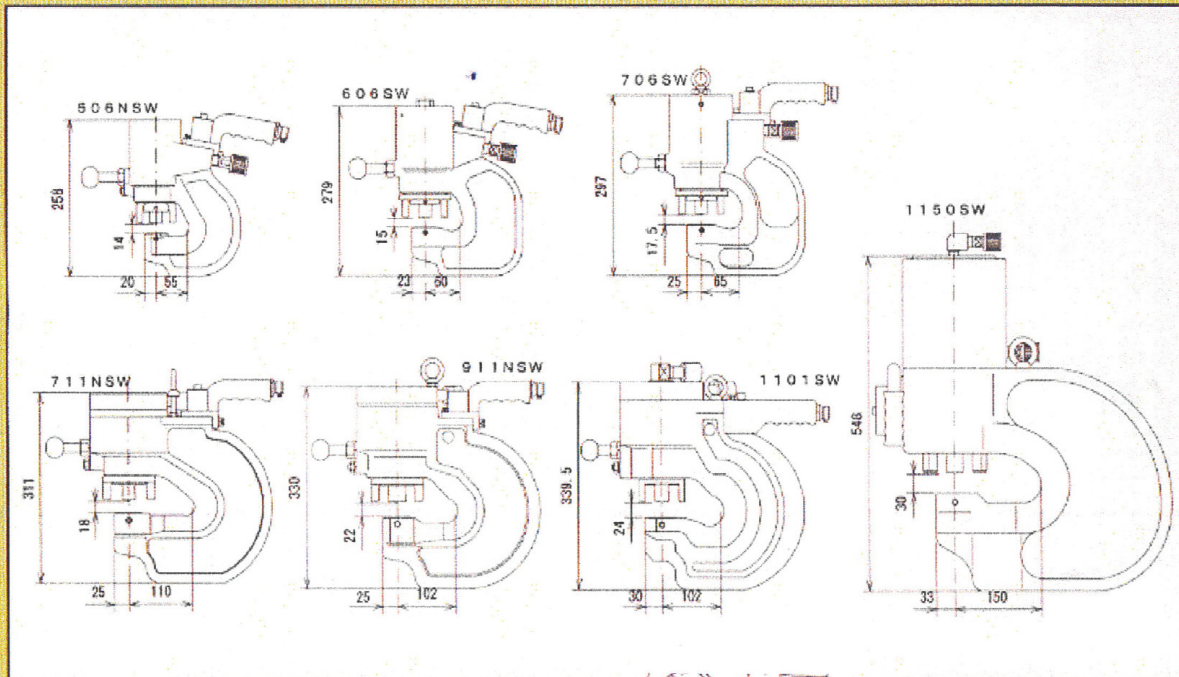
Dimensions of Royal Master Hydraulic Pumps

Maximum punching speed (keep in mind when selecting a hydraulic pump)

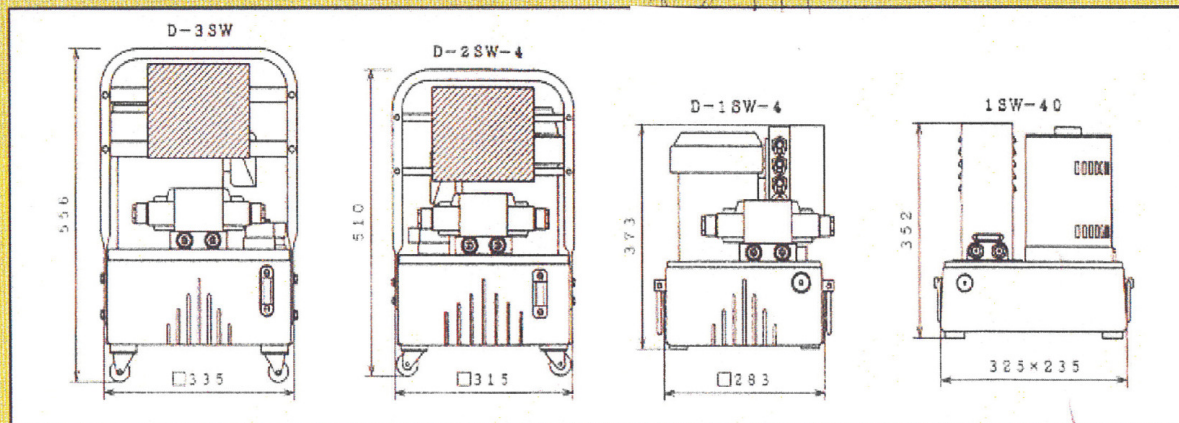
⚠ The time for one cycle is that needed for the bit to punch a hole and return based on 60 Hz. There will be some variation depending on working conditions.

Puncher		506NSW		606SW		706SW		711NSW		911NSW		1101SW		1150SW	
Time (s)		Punch	Return	Punch	Return	Punch	Return	Punch	Return	Punch	Return	Punch	Return	Punch	Return
Hyd. pump	D-3SW	1.0	0.5	1.3	0.6	1.6	0.9	2.3	1.2	4	1.4	4.3	1.8	6.5	3.8
	D-2SW	1.6	0.6	2	0.8	2.5	1.3	3.5	1.7	6	2.2	6.5	2.8	10	6
	D-1SW	2.7	0.6	3.2	0.8	4	1.3	6	1.7	11	2.2	11.8	2.8	13.5	6
	1SW-40	6.8	1.3	8	3	10.1	5	13	7						

Dimensions of Royal Master Hydraulic Punchers



Dimensions of Royal Master Hydraulic Pumps



Phone 0800 48 2000

SALES • SERVICE • HIRE • CALIBRATION