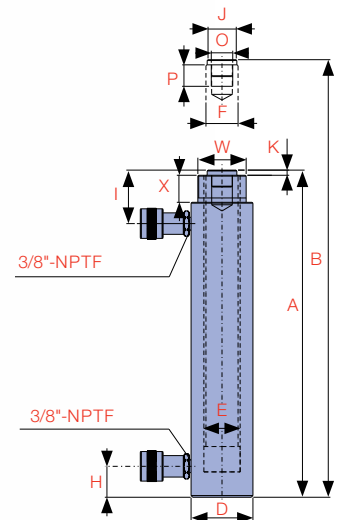




THE **RD-SERIES** IS A VERSATILE AND HEAVY DUTY DOUBLE ACTING CYLINDER FOR USE IN INDUSTRIAL APPLICATIONS REQUIRING HIGH POWER AND PRECISE POSITIONING OF HEAVY LOADS.

All RD-Series cylinders can be used in high working cycle applications and are perfect for bridge lifting, hydraulic presses, construction and maintenance applications. Cylinder body mounting threads and base mounting holes on most models allow greater mounting flexibility. All cylinders have a hard chrome piston rod, bronze overlay on the piston bearing area and retract side safety pressure relief valves to ensure long term, trouble free performance.



RD-1010 - 3014

Model Number	Cylinder Capacity			Stroke (mm)	Cylinder Effective Area		Oil Capacity		A Collapsed Height (mm)	B Extended Height (mm)	D Outside Diameter (mm)	E Cylinder Bore Diameter (mm)	F Piston Rod Diameter (mm)	H Base to Advance Port (mm)
	ton*	Advance kN	Retract kN		Advance (cm ²)	Retract (cm ²)	Advance (cm ³)	Retract (cm ³)						
RD-1010	10	101	33	254	14.5	4.8	367	124	409	663	73	42.9	34.9	36
RD-1012		101	33	305	14.5	4.8	441	149	457	762	73	42.9	34.9	36
RD-308	30	295	133	209	42.1	19.1	879	399	387	596	101	73.2	54.1	57
RD-3014		295	133	368	42.1	19.1	1,548	702	549	917	101	73.2	54.1	57
RD-506	50	498	150	156	71.2	21.5	1,110	338	332	487	127	95.2	79.5	28
RD-5013		498	150	334	71.2	21.5	2,376	719	509	843	127	95.2	79.5	28
RD-5020		498	150	511	71.2	21.5	3,636	1,100	733	1,244	127	95.2	79.5	57
RD-756	75	718	220	156	102.6	31.4	1,600	490	347	503	146	114.3	95.2	30
RD-7513		718	220	333	102.6	31.4	3,415	1,046	525	858	146	114.3	95.2	30
RD-1006	100	933	435	168	133.3	62.2	2,239	1,044	357	525	177	130.3	95.2	38
RD-10013		933	435	333	133.3	62.2	4,438	2,069	524	857	177	130.3	95.2	38
RD-10018		933	435	460	133.3	62.2	6,131	2,858	687	1,147	177	130.3	95.2	41

* Nominal Cylinder Capacity in ton - see kN values for actual capacity

SAFETY PRESSURE

relief valve protects cylinder

PISTON ROD WIPER

reduces contaminants

GLAND NUT

with low friction coating withstands full dead end loading

HARD CHROME PLATED PISTON ROD

for maximum corrosion resistance and cylinder life

BRONZE OVERLAY

on piston bearing area reduces side load induced damage and extends cylinder life

HARDENED GROOVED SADDLE

to prevent piston rod damage. Optional tilt saddles available

CYLINDER BODY MOUNTING THREADS

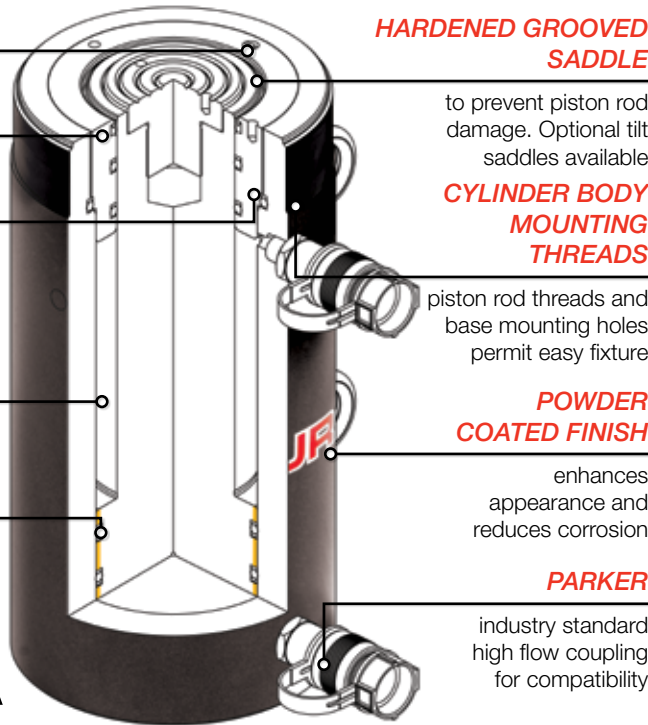
piston rod threads and base mounting holes permit easy fixture

POWDER COATED FINISH

enhances appearance and reduces corrosion

PARKER

industry standard high flow coupling for compatibility



CAPACITY

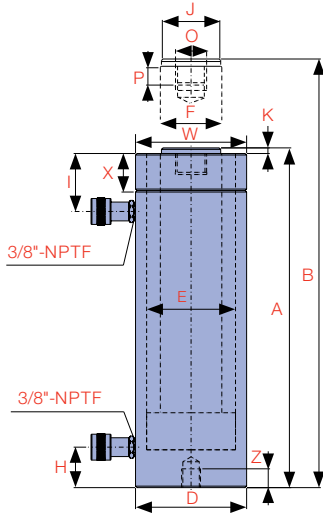
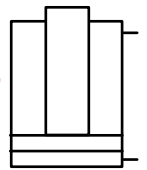
10 - 500 ton

STROKE

57 - 1,219 mm

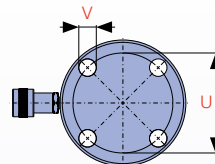
MAXIMUM OPERATING PRESSURE

700 bar

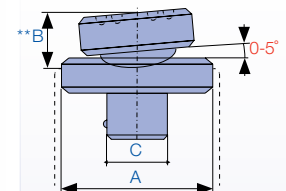


RD-506 - 10018

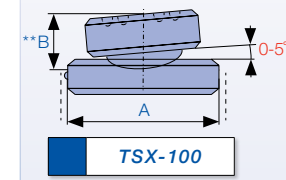
NO MOUNTING HOLES ON 10, 30 & 75 ton, RD-506 & RD-5013 models



RD-5020 - 10018



TSX-10, 50



TSX-100

I Top to Return Port (mm)	J Standard Saddle Diameter (mm)	K Saddle Protrusion from Piston Rod (mm)	O Piston Rod Internal Thread	P Piston Rod Thread Length (mm)	Base Mounting Holes			W Collar Thread (UN)	X Collar Thread Length (mm)	Weight (kg)	Optional Tilt Saddle			Handle Type	
					U Bolt Circle Diameter (mm)	V Thread (UNC)	Z Thread Depth (mm)				Model Number	A (mm)	**B (mm)		C (mm)
57	35	6	1"-8UNC	25	-	-	-	2-1/4"-14	26	12	TSX-10	35	20	22	
57	35	6	1"-8UNC	25	-	-	-	2-1/4"-14	26	14	TSX-10	35	20	22	
81	50	10	1-1/2"-16UN	25	-	-	-	3-5/16"-12	49	18	TSX-50	50	21	36	
81	50	10	1-1/2"-16UN	25	-	-	-	3-5/16"-12	49	29	TSX-50	50	21	36	
76	71	2	1"-12UNF	25	-	-	-	5"-12	50	30	TSX-100	71	25	-	♥
76	71	2	1"-12UNF	25	-	-	-	5"-12	50	52	TSX-100	71	25	-	♥
76	71	2	1"-12UNF	25	76	1/2"-13	25	5"-12	50	68	TSX-100	71	25	-	♥
76	71	6	1"-12UNF	38	-	-	-	5-3/4"-12	38	41	TSX-100	71	25	-	♥
81	71	6	1"-12UNF	38	-	-	-	5-3/4"-12	38	68	TSX-100	71	25	-	♥
71	76	3	1-3/4"-12UN	35	139	3/4"-10	25	6-7/8"-12	50	61	CONTACT DURAPAC			♦	
71	76	3	1-3/4"-12UN	35	139	3/4"-10	25	6-7/8"-12	50	93	"			♦	
92	76	3	1-3/4"-12UN	35	139	3/4"-10	25	6-7/8"-12	50	117	"			♦	

HANDLE TYPES: ♠ WELDED ♦ EYEBOLT ♥ REMOVABLE STRAP HANDLE ♣ THREAD

** Total cylinder collapsed height with optional tilt saddle equals (dim.A - dim.K + dim.B)

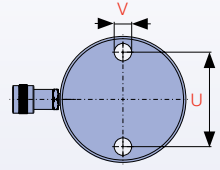
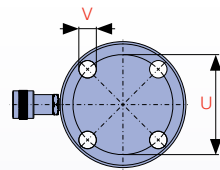
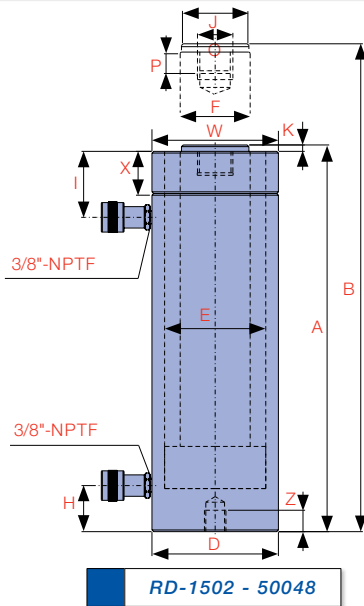
B

CYLINDERS



Model Number	Cylinder Capacity			Stroke (mm)	Cylinder Effective Area		Oil Capacity		A Collapsed Height (mm)	B Extended Height (mm)	D Outside Diameter (mm)	E Cylinder Bore Diameter (mm)	F Piston Rod Diameter (mm)	H Base to Advance Port (mm)
	ton*	Advance kN	Retract kN		Advance (cm ²)	Retract (cm ²)	Advance (cm ³)	Retract (cm ³)						
RD-1502	150	1,386	668	57	198.1	95.4	1,128	544	183	240	203	158.8	114.3	22
RD-1506		1,386	668	156	198.1	95.4	3,088	1,488	385	541	203	158.8	114.3	49
RD-15013		1,386	668	333	198.1	95.4	6,592	3,177	563	897	203	158.8	114.3	49
RD-15032		1,386	668	815	198.1	95.4	16,133	7,775	1,116	1,931	203	158.8	114.3	76
RD-2006	200	1,995	1,017	152	285.0	145.3	4,330	2,207	430	582	247	190.5	133.4	57
RD-20013		1,995	1,017	330	285.0	145.3	9,401	4,791	608	938	247	190.5	133.4	57
RD-20018		1,995	1,017	457	285.0	145.3	13,019	6,635	765	1,222	247	190.5	133.4	85
RD-20024		1,995	1,017	610	285.0	145.3	17,378	8,856	917	1,527	247	190.5	133.4	85
RD-20036		1,995	1,017	914	285.0	145.3	26,049	13,270	1,222	2,136	247	190.5	133.4	85
RD-20048		1,995	1,017	1,219	285.0	145.3	34,741	17,698	1,527	2,746	247	190.5	133.4	85
RD-3006	300	3,201	1,703	153	457.3	243.2	6,993	3,719	485	638	311	241.3	165.1	88
RD-30012		3,201	1,703	305	457.3	243.2	13,941	7,414	638	943	311	241.3	165.1	88
RD-30018		3,201	1,703	457	457.3	243.2	20,888	11,110	790	1,247	311	241.3	165.1	88
RD-30024		3,201	1,703	609	457.3	243.2	27,849	14,805	943	1,552	311	241.3	165.1	88
RD-30036		3,201	1,703	915	457.3	243.2	41,842	22,243	1,247	2,162	311	241.3	165.1	88
RD-30048		3,201	1,703	1,219	457.3	243.2	55,744	29,633	1,552	2,771	311	241.3	165.1	88
RD-4006	400	4,292	2,297	152	613.1	328.1	9,315	4,984	538	690	358	279.4	190.5	108
RD-40012		4,292	2,297	305	613.1	328.1	18,691	10,002	690	995	358	279.4	190.5	108
RD-40018		4,292	2,297	457	613.1	328.1	28,018	14,986	843	1,300	358	279.4	190.5	108
RD-40024		4,292	2,297	610	613.1	328.1	37,399	20,004	995	1,605	358	279.4	190.5	108
RD-40036		4,292	2,297	914	613.1	328.1	56,037	29,973	1,300	2,214	358	279.4	190.5	108
RD-40048		4,292	2,297	1,219	613.1	328.1	74,736	39,974	1,605	2,824	358	279.4	190.5	108
RD-5006	500	5,108	2,838	152	729.7	405.4	11,091	6,175	578	730	397	304.8	203.2	120
RD-50012		5,108	2,838	305	729.7	405.4	22,255	12,357	730	1,035	397	304.8	203.2	120
RD-50018		5,108	2,838	457	729.7	405.4	33,347	18,516	882	1,339	397	304.8	203.2	120
RD-50024		5,108	2,838	609	729.7	405.4	44,438	24,674	1,035	1,644	397	304.8	203.2	120
RD-50036		5,108	2,838	915	729.7	405.4	66,767	37,072	1,339	2,254	397	304.8	203.2	120
RD-50048		5,108	2,838	1,219	729.7	405.4	88,950	49,389	1,644	2,863	397	304.8	203.2	120

* Nominal Cylinder Capacity in ton - see kN values for actual capacity



NO MOUNTING HOLES ON RD-1502, 15032



B

CYLINDERS

I Top to Return Port (mm)	J Standard Saddle Diameter (mm)	K Saddle Protrusion from Piston Rod (mm)	O Piston Rod Internal Thread (UN)	P Piston Rod Thread Length (mm)	Base Mounting Holes			W Collar Thread (UN)	X Collar Thread Length (mm)	Weight (kg)	Optional Tilt Saddle			Handle Type
					U Bolt Circle Diameter (mm)	V Thread	Z Thread Depth (mm)				Model Number	A (mm)	B (mm)	
66	93	19	-	-	-	-	-	-	-	49	CONTACT DURAPAC			◆
84	114	19	3-3/8"-16	35	158	3/4"-16UNF	28	8"-12	55	93	"			◆
84	114	19	3-3/8"-16	35	158	3/4"-16UNF	28	8"-12	55	124	"			◆
88	114	19	3-3/8"-16	35	-	-	-	8"-12	55	238	"			◆
96	133	22	-	-	127	1"-8UNC	25	-	-	147	"			◆
96	133	22	2-1/2"-12	63	127	1"-8UNC	25	9-3/4"-12	54	199	"			◆
101	133	22	2-1/2"-12	63	127	1"-8UNC	25	9-3/4"-12	54	204	"			◆
101	133	22	2-1/2"-12	63	127	1"-8UNC	25	9-3/4"-12	54	279	"			◆
101	133	22	2-1/2"-12	63	127	1"-8UNC	25	9-3/4"-12	54	383	"			◆
101	133	22	2-1/2"-12	63	127	1"-8UNC	25	9-3/4"-12	54	483	"			◆
114	165	28	2-1/2"-12	82	158	1-1/4"-7UNC	44	12-1/4"-12	58	200	"			◆
114	165	28	2-1/2"-12	82	158	1-1/4"-7UNC	44	12-1/4"-12	58	312	"			◆
114	165	28	2-1/2"-12	82	158	1-1/4"-7UNC	44	12-1/4"-12	58	385	"			◆
114	165	28	2-1/2"-12	82	158	1-1/4"-7UNC	44	12-1/4"-12	58	469	"			◆
114	165	28	2-1/2"-12	82	158	1-1/4"-7UNC	44	12-1/4"-12	58	628	"			◆
114	165	28	2-1/2"-12	82	158	1-1/4"-7UNC	44	12-1/4"-12	58	780	"			◆
133	190	28	3"-12	95	203	1-1/2"-6UNC	50	14-1/8"-8	65	303	"			◆
133	190	28	3"-12	95	203	1-1/2"-6UNC	50	14-1/8"-8	65	399	"			◆
133	190	28	3"-12	95	203	1-1/2"-6UNC	50	14-1/8"-8	65	453	"			◆
133	190	28	3"-12	95	203	1-1/2"-6UNC	50	14-1/8"-8	65	597	"			◆
133	190	28	3"-12	95	203	1-1/2"-6UNC	50	14-1/8"-8	65	792	"			◆
133	190	28	3"-12	95	203	1-1/2"-6UNC	50	14-1/8"-8	65	980	"			◆
152	203	28	3-1/4"-12	108	203	1-3/4"-5UNC	54	15-5/8"-8	79	432	"			◆
152	203	28	3-1/4"-12	108	203	1-3/4"-5UNC	57	15-5/8"-8	79	589	"			◆
152	203	28	3-1/4"-12	108	203	1-3/4"-5UNC	57	15-5/8"-8	79	680	"			◆
152	203	28	3-1/4"-12	108	203	1-3/4"-5UNC	57	15-5/8"-8	79	816	"			◆
152	203	28	3-1/4"-12	108	203	1-3/4"-5UNC	57	15-5/8"-8	79	1,002	"			◆
152	203	28	3-1/4"-12	108	203	1-3/4"-5UNC	57	15-5/8"-8	79	1,224	"			◆

HANDLE TYPES: ♣ WELDED ◆ EYEBOLT ♥ REMOVABLE STRAP HANDLE ♠ THREAD