

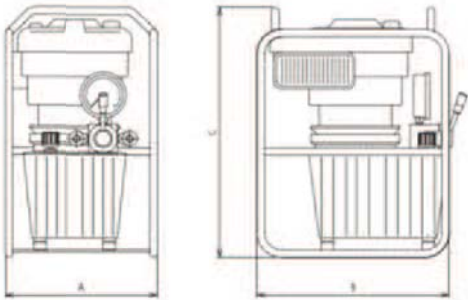
DURAPAC

ENGINEERED FOR RELIABILITY

MODEL NO. PPM2014 HYDRAULIC HIGH PRESSURE PETROL PUMP

DURAPAC

This powerful 4 stroke high pressure hydraulic pump is equipped with a protection cage that makes it easier to move and lift, protecting it in construction sites. With a large 10 litre aluminium reservoir it is capable of use with a wide range of equipment. Reduced maintenance and designed to last.



FEATURES

- Powerful Honda GXV 2.6 KW 4 stroke petrol engine
- Aluminium 10 litre oil reservoir
- Rugged tubular protection cage
- Easy to read large 100 mm diameter glycerine filled pressure gauge
- 4 way 3 position manual directional valve with internal check valve
- Fast 4.5 litre minute first stage oil flow and 1.8 litre minute at 700 bar



Model No	Motor Type/ Brand	Hyd Pressure (bar)	Hyd Reservoir Capacity (L)	Motor Fuel	Motor Power (kW/RPM)	Dimensions Outside Frame (mm) LxWxH	Weight inc oil & frame (kg)
PPM2014	4-Stroke / Honda	700	10	Petrol	2.6 / 3000	470x372x630	47

DURAPAC is a registered brand of

AE **Absolute** **EQUIPMENT**

2/186 Granite Street, GEEBUNG, QLD 4034