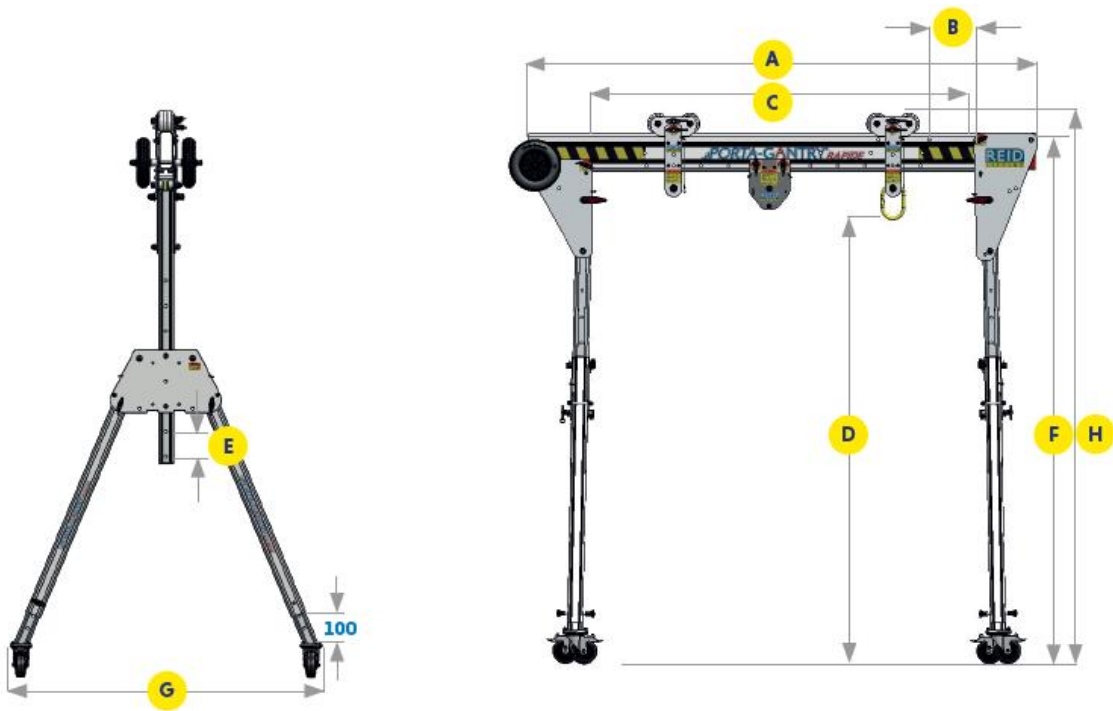


500KG GANTRY CRANE



A	B	C	D	E	F	G	H
Beam Length	Beam Adjustment	Max/Min Working Span	Height to Lifting Eye	Height Adjustment	Height to Top of Beam	Width Of "A" Frame	Height to Top of Roller
2000mm	2 x 200mm	1100mm 1500mm	1450mm 2050mm	6 x 100mm	1776mm 2376mm	1158mm	1856mm 2456mm