

Utility Capstan Electric Winch-Hoist **30-12**

CAPSTAN SERIES

Construction Features:

- Heavy-duty angle base drilled for four 1/2" bolts (9/16" mounting holes) with no welding required
- Fully sealed aluminum housings, with precision-cut gears, run in an oil bath
- Hardened steel worm and forged bronze worm gear holds load in position when stopped.
- Stress-proof drum shaft
- Frictionless bearings
- 175:1

Hoisting Rope:

Consult your local dealer for type and size of rope. Maintain at least three wraps of rope on capstan drum when in use. Heavier loads may require four wraps of rope.

Power:

- Reversible permanent magnet 12 Volt motor
- 10 amp – No load
- 100 amp – Full load

Speeds:

- 20 FPM: No-load drum speed
- 15 FPM: 500 lbs

Duty Cycle:

- 25% – 15 min/hr when operating at full load.

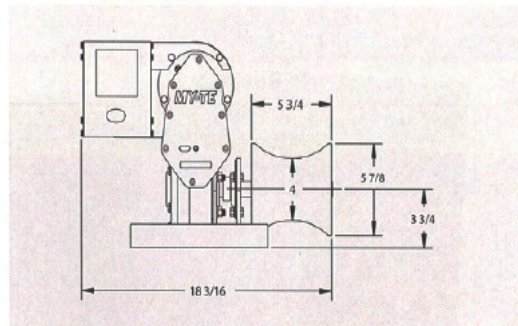
Shipping Weight: 66 lbs

Factory-Installed Options:

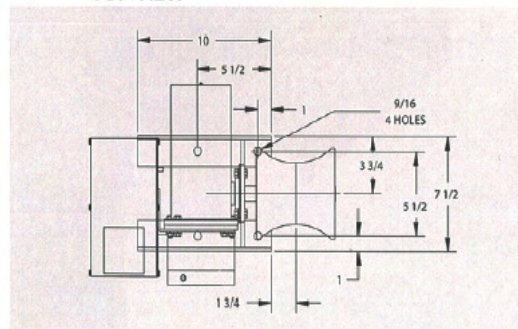
- Foot switch
- High speed gears
- Pole mount
- Swivel mount
- Receiver hitch mount

For custom design and application assistance of a My-te winch-hoist, see your My-te distributor or call My-te Products, Inc. (800) 840-9880. Visit us at www.myte.com

FRONT VIEW



TOP VIEW



SIDE VIEW

