



HYTORC

jGUN SINGLE SPEED

The jGun Single Speed is the simple choice for air-powered industrial bolting. With industry-leading power-to-weight and a breakout force that overcomes corroded and damaged nuts, this tool takes over where impact guns and breaker bars don't cut it.

Powerful Breakout

11.01



The jGun provides continuous power with no kickback to break out the nuts that other systems can't tackle. Impact guns have tremendous vibration and noise and have been banned on many job sites. The jGun uses precision gearing and a simple reaction fixture to give you maximum power without the noise and vibration.

Repeatable Torque

11.02



For maximum joint integrity, all of the bolts on a connection need to have an even and accurate load. The jGun system provides adjustable and repeatable torque to ensure that the bolted joint is assembled right the first time and keeps the torque over time.

Ergonomic Design

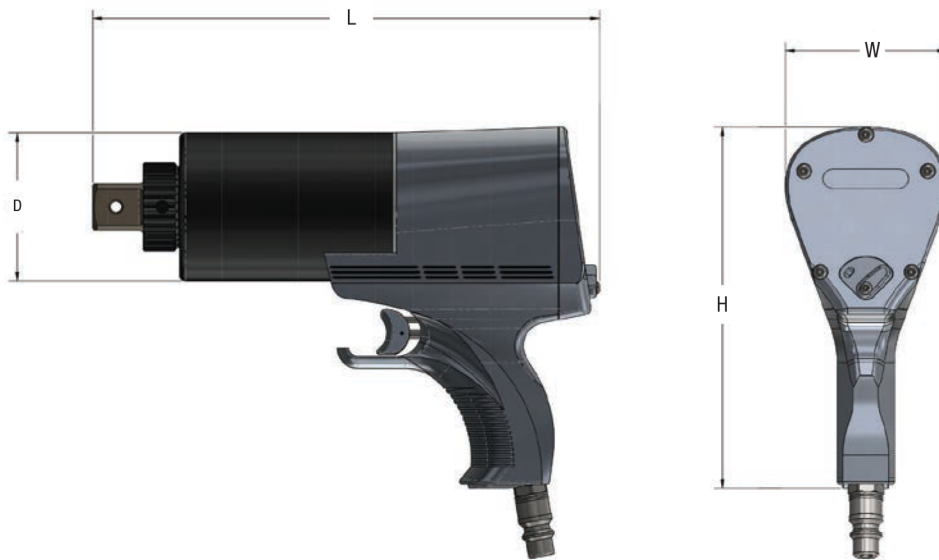
11.03



The jGun series is built using aerospace materials for lightweight design with maximum durability. The comfort grip and available silencer ensure that the tool operator is comfortable, even on all day jobs

Technical Data

11.04



Model	H (mm)	W (mm)	L (mm)	D (mm)	Drive (mm)	Weight (Kg)	Torque (Nm)	
							MIN.	MAX.
J - .25	179.32	69.10	181.61	63.50	19.05	3.30	65.10	351.20
J - .5	185.92	69.60	205.00	65.53	19.05	3.30	175.00	668.80
J - 1	185.92	69.60	224.02	65.53	19.05	4.53	408.10	1,669.01
J - 2	201.70	89.70	265.68	82.60	25.40	6.60	706.40	2,969.24
J - 3	201.70	89.70	282.20	82.60	25.40	17.14	1,155.20	4,208.50
J - 5	204.00	105.41	310.90	105.41	38.10	9.10	1,559.20	7,139.70
J - 8	214.90	105.41	330.20	115.82	38.10	12.02	2,363.20	10,743.50