



ICE

Square Drive Tool

The ICE bolting system is the culmination of nearly 50 years of research and development dedicated to industrial bolting. Featuring patented industry-first innovations, the ICE is the most advanced hydraulic bolting system available today.

Auto Release System

03.01



The ICE can automatically release itself when locked on a bolt. This reduces unplanned interruptions in the bolting process.

Total-Freedom Uniswivel

03.02



The ICE is the world's only hydraulic bolting system that allows for fast and flexible positioning without the constraints normally associated with hydraulic hoses.

Multi-Use System

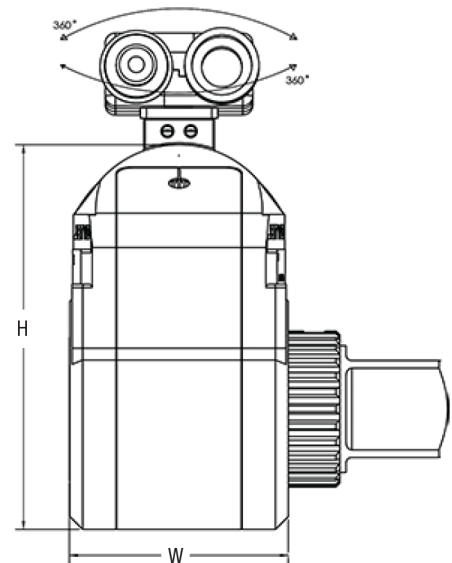
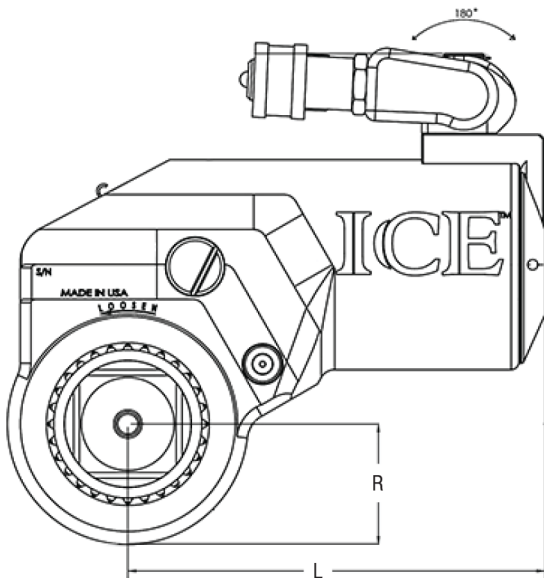
03.03



The ICE works with all HYTORC bolting systems including tensioning with the HYTORC Nut and the revolutionary new HYTORC Washer.

Technical Data

03.04



Model	H (mm)	W (mm)	L (mm)	R (mm)	Drive (mm)	Weight (Kg)	Torque (Nm)	
							MIN.	MAX.
ICE - 1	131.32	55.40	112.50	28.70	19.05	2.72	265.74	1,740.90
ICE - 3	167.13	73.70	140.50	38.60	25.40	4.53	623.70	4,181.34
ICE - 5	193.80	85.90	163.60	45.72	38.10	8.16	1,090.10	7,267.20