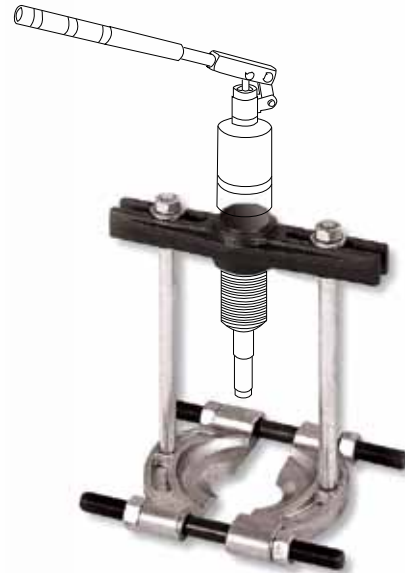


THE **BS-SERIES** CROSS BEARING ATTACHMENTS PROVIDE A KNIFE-LIKE EDGE TO GET BEHIND PARTS FOR ADDED VERSATILITY AND SECURE REMOVAL OF PARTS.

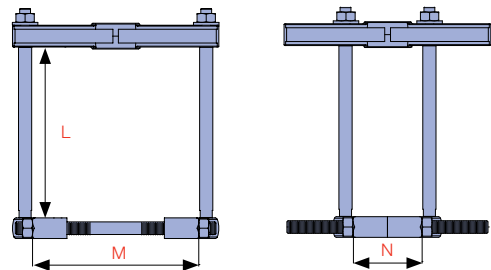
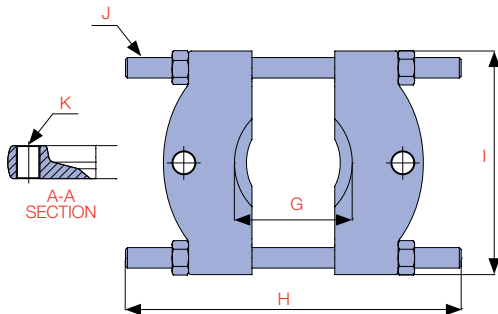
Great for parts that do not offer adequate grip with jaw type pullers. All bearing/pulley attachments include the bearing attachment, a pair of sized thread in legs and a sliding cross head. Simply add the hydraulic cylinder from your PR/PS-Series puller set.



F
HYDRAULIC TOOLS



BEARING/PULLEY ATTACHMENT SET



Model No.	G (Min/Max)	H (mm)	I (mm)	J (inch)	K (mm)	Weight (kg)
BS-5-60	5-60	125	70	3/8-24UNF	3/8-16UNC	0.6
BS-15-60	15-60	135	127	1/2-20UNF	3/8-16UNC	1.4
BS-12-70	12-70	163	156	5/8-18UNF	1/2-12UNC	2.5
BS-28-150	28-150	260	204	3/4-16UNF	5/8-11UNC	5.5
BS-20-200	20-200	350	288	1-14UN	3/4-10UNC	8.5

*Model No.	Capacity (ton)	Reach L (mm)	Spread		Weight (kg)	Inc. Bearing Attachment
			M (mm)	N (mm)		
BS-04250	4	250	110	55	6.5	BS-12-70
BS-08270	8	270	220	95	9.5	BS-28-150
BS-12380	12	380	290	225	13	BS-20-200

* Excludes cylinder pump