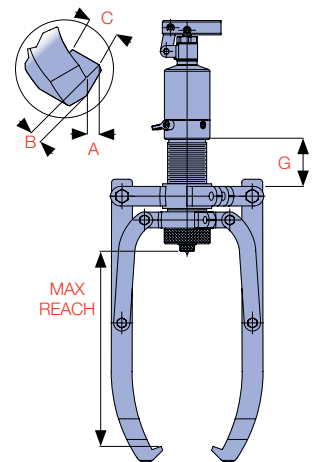
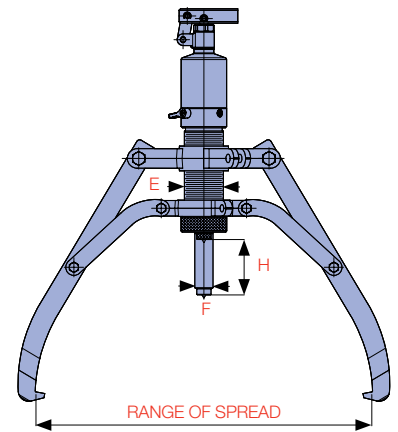
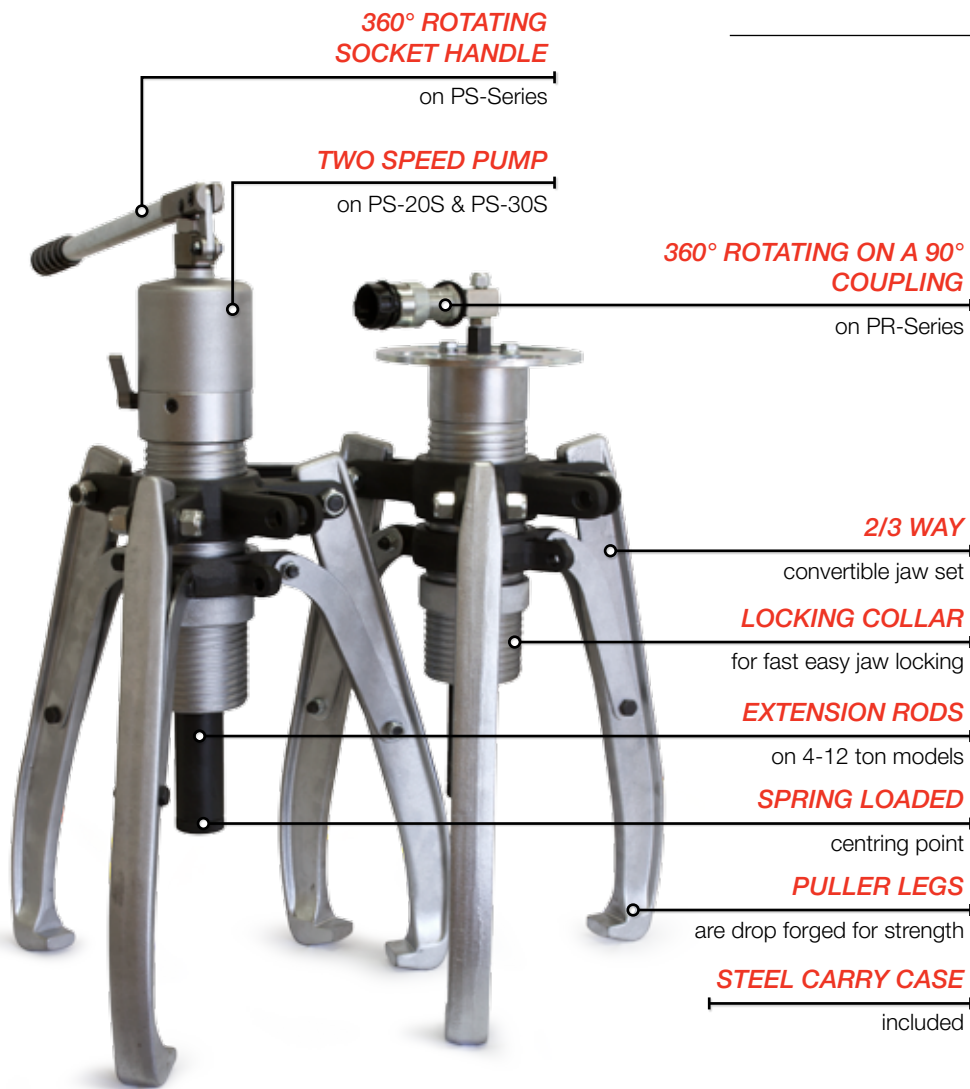


THE **PR & PS-SERIES** PULLERS ARE A CONVERTIBLE 2 OR 3 WAY UNIT FOR A ONE PERSON OPERATION.

Available in remote and self-contained versions from 4-30 ton capacity. The PS-Series 3 in 1 puller is a double acting unit designed for pushing, outer pulling and inner pulling.



Model No.	Puller Type	Capacity (ton)	Max. Reach (mm)	Range of Spread (mm)	Extension Rods	Jaw Tip (mm)			Hydraulic Cylinder (mm)			Stroke (mm)	Weight (kg)
					58 mm - Qty	A	B	C	E	F	G		
PS-04S	Self-contained	4	190	67.5 - 325	2	13	10	22	42	22	40	60	8
PR-04	Remote												
PS-08S	Self-contained	8	280	107.0 - 450	3	13	13	27.5	50	25	70	85	12
PR-08	Remote												
PS-12S	Self-contained	12	305	94.5 - 485	4	15	16.5	29	60	28	70	85	15
PR-12	Remote												
PS-20S	Self-contained	20	365	128.4 - 570	-	20	27	33	80	40	62	111	26
PR-20	Remote												
PS-30S	Self-contained	30	465	128.5 - 680	-	20	27	38	98	50	85	111	36
PR-30	Remote												

**SELF-CONTAINED
HAND PUMP**

rotates 360°

**DOUBLE ACTING
CYLINDER**

allows for pushing/outer
pulling and inner pulling

**VARIABLE
HEIGHT**

extension legs

3 JAW STRUCTURE

provides even force

STEEL CARRY CASE

included

INTERNAL PULLER

allows removal of oil seals,
bushings and bearings



CAPACITY

4 - 30 ton

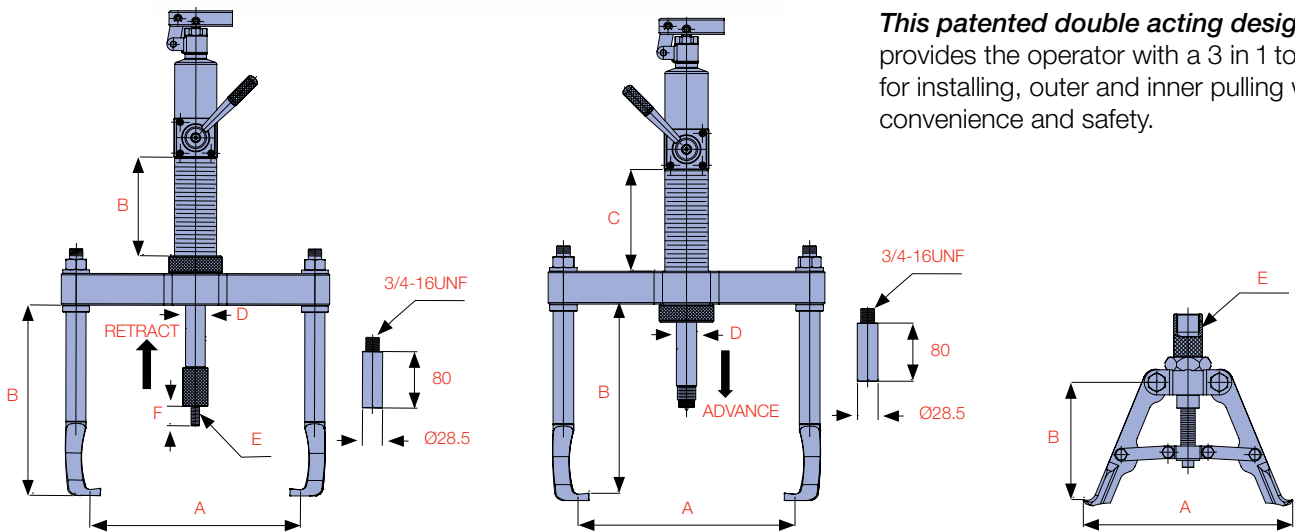
MAXIMUM OPERATING
PRESSURE

700 bar

F

HYDRAULIC TOOLS

This patented double acting design provides the operator with a 3 in 1 tool for installing, outer and inner pulling with convenience and safety.



FOR OUTER PULLING



FOR OUTER/INNER INSTALLING



INNER PULLING ATTACHMENT

Model No.	Puller Type	Capacity (ton)	A (mm)	B (mm)	C (mm)	D (mm)	E	F (mm)	Weight (kg)
PS-1208D	Installing	8	44-280	270 + 80	140	28	M12 x 1.75	30	19.5
	Outer Pulling	12	85-300	260 + 80	140	28	-	-	
	Inner Pulling	8	110-210	130 - 150	-	-	1"-12UNF	-	