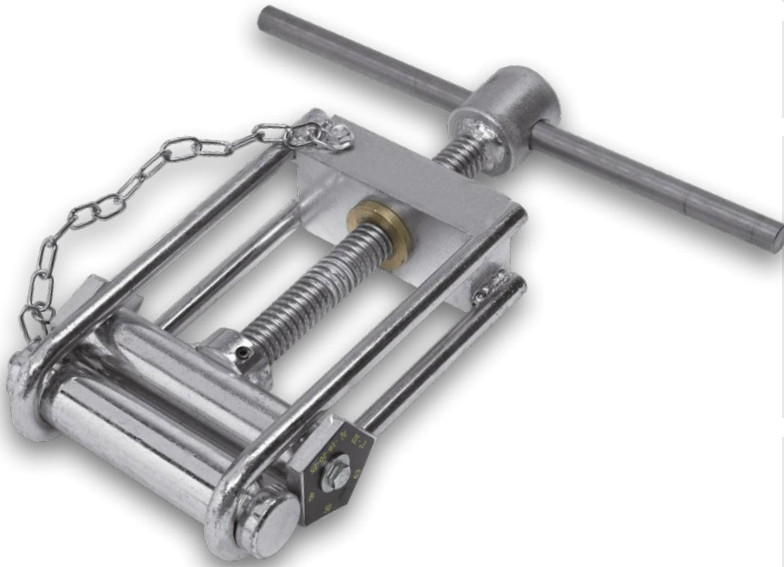


# PIPE MAINTENANCE

## ST 10

Pipe compressing tool for pe pipe up to 67 mm

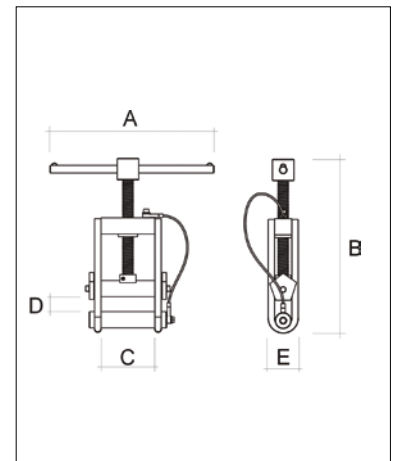
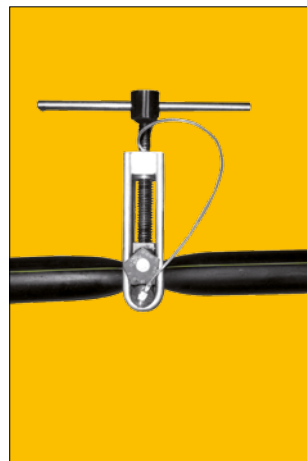
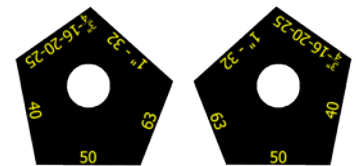
**LIFE GUARANTEED!**



**ST10** is manual pipe squeezing tool designed for compressing polyethylene pipes, of gas and water, with diameters up to mm 63. The vise is manufactured for guaranteeing the maximum of practicality and safety. The sliding lever assures easy and effortless operations in any position, the upper jaw features two rotating plates that have the function of gauges for avoiding excess of compression and material yielding. The five position indicator, allows instant selection of the gauge depending on pipe diameters. The lower jaw is self-positioning and is secured to the tool by a steel cord that prevents losses. **Fast, robust, easy to use, the tool does not require maintenance.**

- Five rotating spacers anti stress of fibres immediately selectable
- Completely galvanised for protection against rust
- Bronze threaded bush avoids seizing and do not need lubrication
- The product configuration allows a contrast rod to be inserted between the stems to hold the jaws in position at 90° on the tube
- Lower bar with positioning grooves and fastened with flexible chain against losses
- The central panel has a 12 MA threaded hole that allows the insertion of a long screw (of any type) to create a contrast and hold the jaws to 90°

Detail of calibers anti-yielding



TECHNICAL CHARACTERISTICS	ST 10
Weight (kg)	4,7
Pipe type	PE diameter 16-63 mm
Material	steel - bronze
Dimension (mm)	
A	300
B	390 open - 297 close
C	100
D	100 mouth open
E	54