



Avanti

Square Drive Tool

The Avanti series offers the widest range of torque output with a maximum output of more than 180,000 Nm in the largest model. With tens of thousands in use around the world, the Avanti series is the industry's trusted solution for next-generation bolting.

Reaction Drive

04.01



The Avanti features a patented industry-first reaction drive that eliminates the destructive twisting force that occurs in other torque wrenches that have a co-axial reaction arm. (* Also found on ICE series)

Torque & Angle Dial

04.02



With a simple add-on, the Avanti system is capable of providing a clear angle reading for bolting methods that incorporate turn of the nut.

Multi-Use System

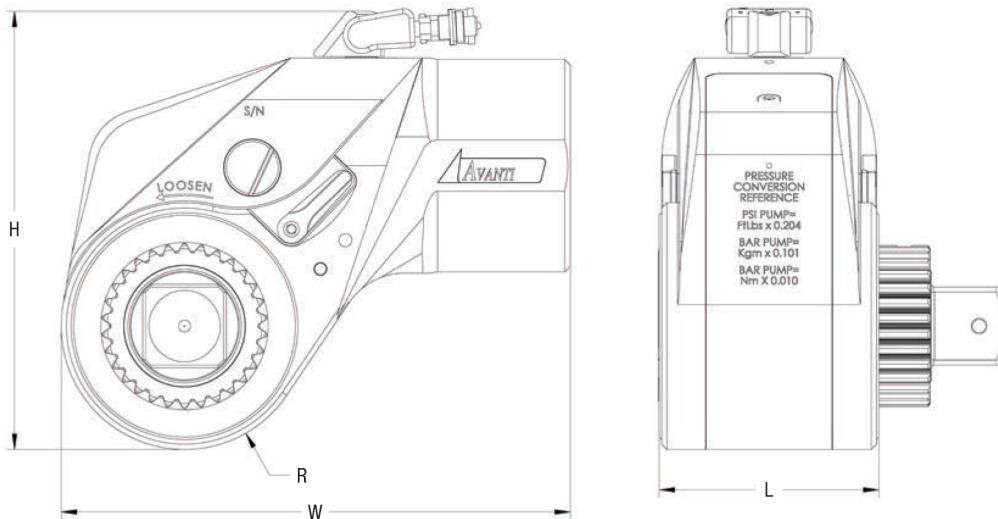
04.03



The Avanti works with all HYTORC bolting systems including tensioning with the HYTORC Nut and the revolutionary new HYTORC Washer for added safety, speed and accuracy on any job.

Technical Data

04.04



Model	H (mm)	W (mm)	L (mm)	R (mm)	Drive (mm)	Weight (Kg)	Torque (Nm)	
							MIN.	MAX.
Avanti - .7	106.40	45.50	105.15	25.14	19.05	1.40	155.91	1,039.91
Avanti - 1	120.90	55.40	119.63	28.70	19.05	2.04	265.74	1,740.87
Avanti - 3	157.50	73.70	156.21	38.60	25.40	4.32	623.70	4,181.34
Avanti - 5	181.40	85.90	186.94	45.72	38.10	7.10	1,090.07	7,267.20
Avanti - 8	200.70	98.04	209.30	49.27	38.10	9.41	1,559.20	10,521.14
Avanti - 10	224.80	110.50	233.70	57.15	38.10	13.24	2,440.50	15,921.37
Avanti - 20	259.60	128.80	277.90	66.04	63.50	21.63	3,742.10	24,255.60
Avanti - 35	310.40	158.24	341.63	81.02	63.50	37.53	6,650.30	43,155.70
Avanti - 50	353.06	178.81	394.71	100.33	63.50	57.92	9,764.60	62,538.50
Avanti - 80	427.33	190.24	495.80	119.12	88.90	127.23	16,222.40	11,6186.81
Avanti - 130	429.80	215.90	577.34	134.90	88.90	265.35	26,296.08	18,7794.34