

100 to 500 kN Cylinder for Jack-Up (SJ Series)


	SJ1	SJ2	SJ3	SJ4	SJ5
Maximum operating pressure	70 MPa				
Maximum output	100 kN	200 kN	300 kN	400 kN	500 kN
Effective area (cm ²)	14.52	33.18	44.17	57.77	71.63
Cylinder internal diameter	φ 43	φ 65	φ 75	φ 85.78	φ 95.5
Cylinder system	Single-acting				
Return system	Spring-return				
Coupler connection port size	Rc3/8				

Model code structure

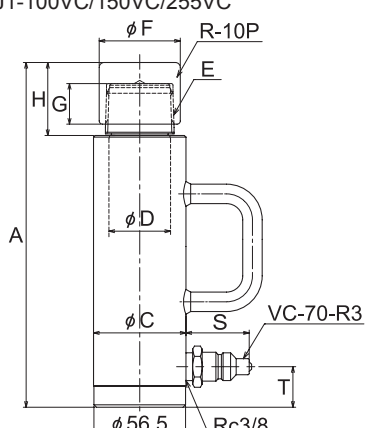
SJ	1	-	100	VC
Single-acting cylinder for Jack-Up SJ series	Maximum output 1 : 100 kN 2 : 200 kN 3 : 300 kN 4 : 400 kN 5 : 500 kN		Stroke (mm)	Attached coupler VC : VC-70-R3 S : S-1R T : ROC-13R -NC : W/O coupler

• A cap is attached to the tip of the piston of each cylinder.

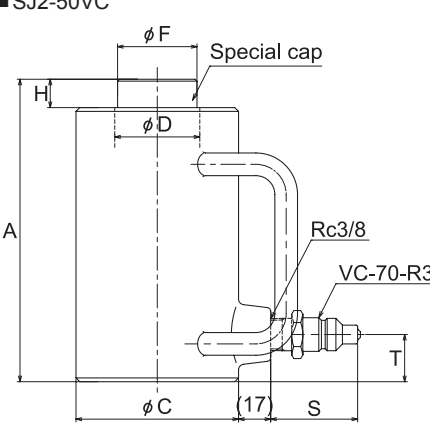
■ SJ2-50VC



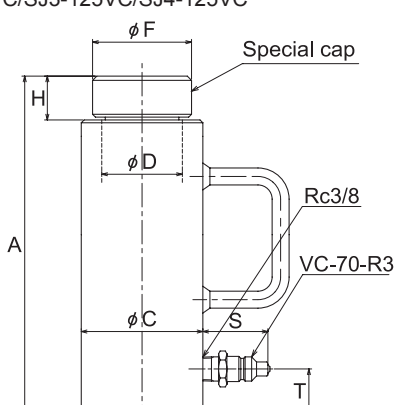
■ SJ1-100VC/150VC/255VC



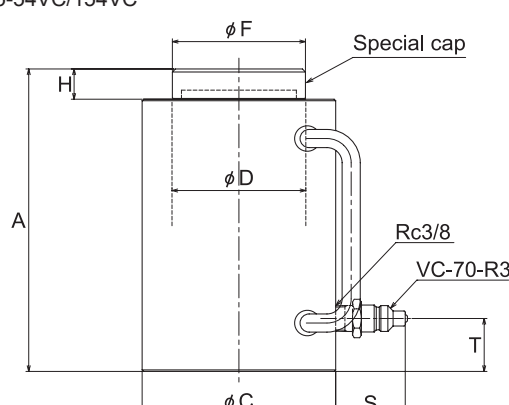
■ SJ2-50VC



■ SJ2-126VC/SJ3-125VC/SJ4-125VC



■ SJ5-54VC/154VC



Specifications

Model		SJ1-100	SJ1-150	SJ1-255	SJ2-50	SJ2-126	SJ3-125	SJ4-125	SJ5-54	SJ5-154
Stroke	mm	100	150	255	50	126	125	125	54	154
Minimum overall length	A	248	298	412	160	271	270	270	200	300
Cylinder external diameter	φ C	57			86		102	117	128	
Piston diameter	φ D	38			45	57	68	75	88.5	
Piston thread size	E	1 1/4-11.5NPT			—		—		—	
Head cover diameter	φ F	50			42	70	68	75	88	
Piston thread length	G	25			—		—		—	
Piston protrusion length	H	45			15	31	25		20	
Coupler protrusion length	VC-70-R3	≈ 39			≈ 46		≈ 46		≈ 46	
	S-1R	≈ 46			≈ 53		≈ 53		≈ 53	
	ROC-13R	≈ 42			≈ 49		≈ 49		≈ 49	
Coupler position	T	25			25	31	30	35	35	
Attached cap	—	R-10P			Special cap		Special cap		Special cap	
Required oil volume	cm ³	146	218	371	166	419	553	723	387	1104
Approx. weight	kg	4.3	5.1	6.9	6.1	10.2	14.2	18.0	17.0	26.5