





DA2^{power}

THE EXPERT FOR FAST AND MOBILE WORKING

The compact powerhouse. Strong and reliable, it masters all challenges and can be upgraded to the *docu* and *control* model variants.



1

SPEED

4 gears for optimum working speed

2

ERGONOMIC

360° swivel joint without locking steps
0% kickback at end of force

3

BATTERY LIMIT CONTROL

Proactive torque and battery monitoring of the 5.2 Ah Lithium-Ion high-power batteries. 6.0 Ah available on request



Also available as an angle version

+ RELIABLE

- ▶ More powerful loosening stages for stubborn bolts
- ▶ Rust-free gearbox thanks to nickel-plated surface
- ▶ FEIN drive and battery technology ensures quality and the possibility of worldwide procurement



+ SAFETY

- ▶ Safety and ergonomics thanks to automatic release of the reaction arm after bolting procedure
- ▶ Protection and ease of use thanks to automatic locking at end of force



+ BATTERY

- ▶ 5.2 Ah Li-Ion high-power batteries, 6.0 Ah available on request
- ▶ Full battery charge in under 30 minutes thanks to High-Performance Charger
- ▶ Battery charge level indicator
- ▶ Charger shows battery status to plan your next job more reliably



POWER

Robust and user-friendly tools of the next generation



DOCU

The smart upgrade to the *power* version:
Documents and analyses the tightening results



CONTROL

Also features combined torque, rotation angle and test mode



DA2docu

THE SMART SPECIALIST FOR SEAMLESS DOCUMENTATION

Your device for documentation and analysis. In addition to the extensive functions of the DA2power, the DA2docu saves the tightening results incl. location and sends them to a smart device via Wi-Fi.

Documentation, bolted joint management and torque lock can be easily controlled via app.



1 BOLTING COUNTER
 Integrated gear and torque-dependent bolting counter

2 PROCESS SECURITY
 Tightening management and torque lock

3 DA2DOCU-APP
 Android® app with comprehensive documentation (time stamp, user, GPS coordinates, up to 10,000 memory locations) for easy tracking. (Tablet not included in the scope of delivery)



GET IT ON
 Google Play

DA2control



PERFECT CONTROL THANKS TO ROTATION ANGLE MODE

The new DA2control cordless nutrunner enables precise tightening for every application, due to its integrated torque and rotation angle feature as well as direction of rotation recognition.

Thanks to its intuitive handling and over-the-air updates, your device is always up-to-date – for maximum performance and reliability.

+ LCD DISPLAY

All important bolting parameters at a glance

+ UP-TO-DATE

Updates automatically on-site (over-the-air [OTA])



COMBINED TORQUE / ANGLE OF ROTATION MODE

F E A T U R E S

- ▶ Torque/angle of rotation mode
- ▶ Tightening parameters can be set directly on the tool
- ▶ Detects the direction of rotation



DA2*safety*

THE SAFETY AND HANDLING EXPERT

Safety-conscious design for demanding applications. The DA2*safety* offers maximum protection thanks to its two-handed operation. With swivelling additional handle for comfortable use and unrestricted operability, even when wearing gloves.

Ideal for left- and right-handed users. All DA2 models can be upgraded.



FLEXIBLE

Rotatable and fixable additional handle



SAFETY START TRIGGER (SST)

The device stops automatically when one of the two triggers has been deactivated

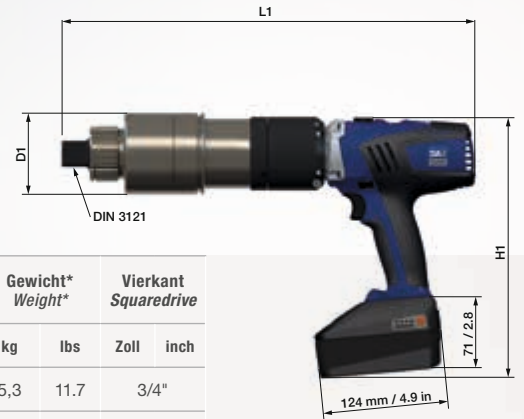


FEATURES

- ▶ Minimising the risk of injury
- ▶ Improved handling when moving on several bolts
- ▶ Enhanced carrying comfort
- ▶ High level of user-friendliness for left- and right-handers
- ▶ Suitable for construction sites: unrestricted handling with gloves
- ▶ Comfortable use thanks to additional handle
- ▶ The DA2-05 to DA2-36 models can be upgraded to DA2*safety* 2.0 and the DA2-48 and DA2-80 models to DA2*safety* 1.1

DA2

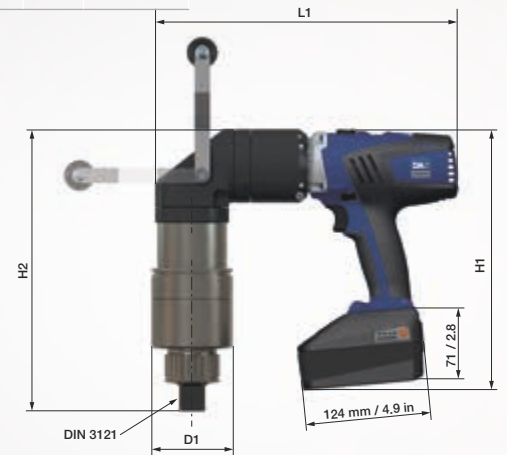
Typ Type	Drehmoment Max. torque		L1		D1		H1		Drehzahl Speed max.		Gewicht* Weight*		Vierkant Squaredrive	
	Nm	ft-lbs	mm	inch	mm	inch	mm	inch	U/min	rpm	kg	lbs	Zoll	inch
DA2-05	550	410	365	14.4	68,5	2.70	253	10.0	71,6	5,3	11.7	3/4"		
DA2-10	1.000	740	365	14.4	68,5	2.70	253	10.0	48,0	5,3	11.7	3/4"		
DA2-20	2.000	1,480	405	15.9	80,0	3.15	253	10.0	24,6	6,8	15.0	1"		
DA2-30	3.000	2,210	405	15.9	80,0	3.15	253	10.0	20,9	6,8	15.0	1"		
DA2-36	3.600	2,660	405	15.9	80,0	3.15	253	10.0	15,3	6,8	15.0	1"		
DA2-48	4.800	3,540	437	17.2	86,0	3.39	253	10.0	12,9	7,8	15.0	1 1/2"		
DA2-80	8.000	5,900	521	20.5	101,0	3.98	253	10.0	5,7	12,5	27.6	1 1/2"		



MODELS // DATA

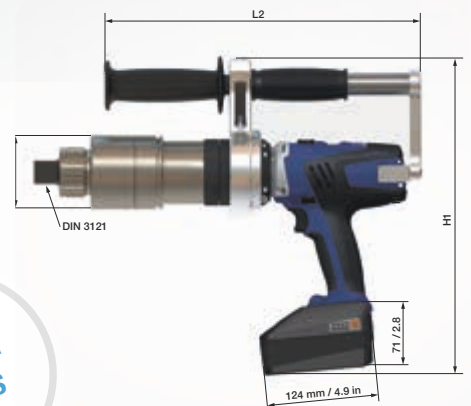
DA2 ANGLE VERSION

Typ Type	Drehmoment Max. torque		L1		H1		H2		D1		Drehzahl Max. speed		Gewicht* Weight*		Vierkant Squaredrive	
	Nm	ft-lbs	mm	inch	mm	inch	mm	inch	mm	inch	U/min	rpm	kg	lbs	Zoll	inch
DA2-05-W	550	410	305,25	14.4	253	10.0	245,0	9.65	68,5	2.70	71,6	6,2	13.7	3/4"		
DA2-10-W	1.000	740	305,25	14.4	253	10.0	245,0	9.65	68,5	2.70	48,0	6,2	13.7	3/4"		
DA2-20-W	2.000	1,480	311,00	15.9	253	10.0	285,0	11.22	80,0	3.15	24,6	7,8	17.2	1"		
DA2-30-W	3.000	2,210	311,00	15.9	253	10.0	285,0	11.22	80,0	3.15	20,9	7,8	17.2	1"		
DA2-36-W	3.600	2,660	311,00	15.9	253	10.0	285,0	11.22	80,0	3.15	15,3	7,8	17.2	1"		
DA2-48-W	4.800	3,540	314,00	17.2	253	10.0	316,5	12.44	86,0	3.39	12,9	9,5	20.9	1 1/2"		
DA2-80-W	8.000	5,900	321,50	20.5	253	10.0	400,5	15.77	101,0	3.98	5,7	13,5	29.8	1 1/2"		



DA2 SAFETY

Typ Type	L2		H1		D1	
	mm	inch	mm	inch	mm	inch
DA2-05-SST 2.0	343	13.50	344	13.54	68,5	2.70
DA2-10-SST 2.0	343	13.50	344	13.54	68,5	2.70
DA2-20-SST 2.0	343	13.50	344	13.54	80,0	3.15
DA2-30-SST 2.0	343	13.50	344	13.54	80,0	3.15
DA2-36-SST 2.0	343	13.50	344	13.54	80,0	3.15
DA2-48-SST 1.1	auf Anfrage					
DA2-80-SST 1.1	auf Anfrage					



FOR
FURTHER
DETAILS
SEE DA2

Repeat accuracy: ≤ 4%, depending on the bolting case. Technical data without guarantee.
*Specification without reaction arm and battery. Battery weight: 0.75 kg

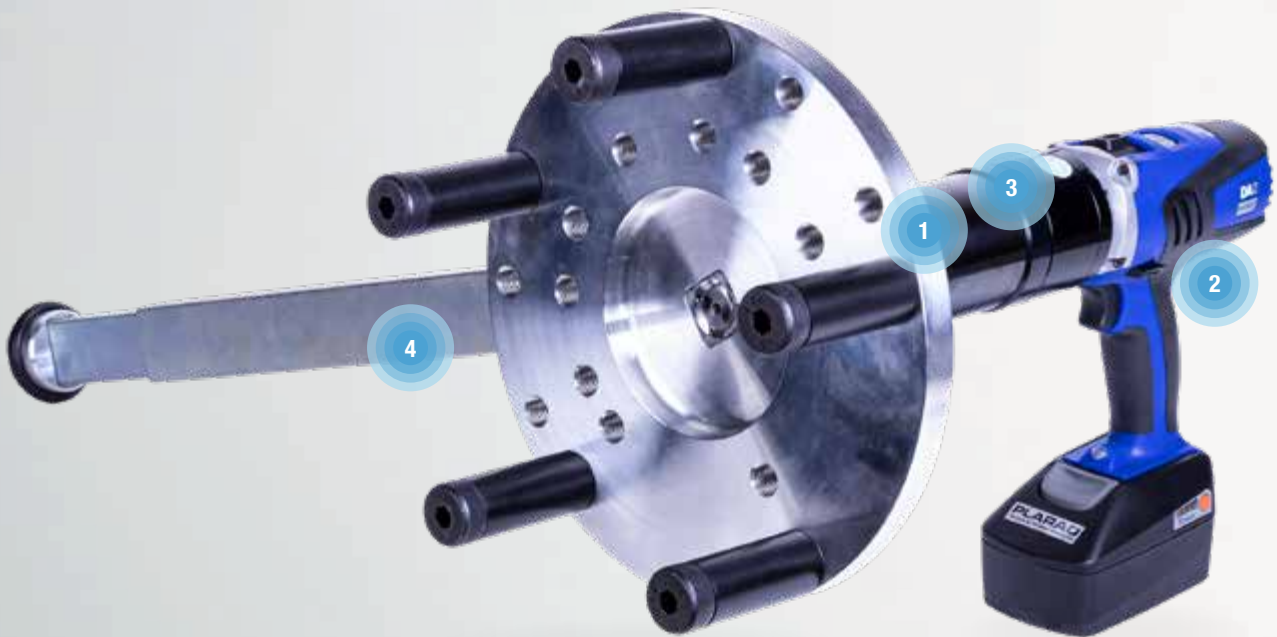
DA2*motion*

THE BATTERY-POWERED VALVE ACTUATOR FOR EVERY ROTATIONAL MOVEMENT

In the water or energy industry, in transport or in the chemical industry, the DA2*motion* guarantees fast and safe work.

With the high output speed of the DA2*motion*, you can achieve fast results thanks to its 4-speed gearbox. A patented fully automatic locking mechanism and the digital counter ensure precision and safety.

The stop buffer on the reaction arm and 'smooth start and stop feature' guarantee gentle and quiet handling. Ideal for all industries thanks to precisely fitting accessories and high mobility.



1 FLEXIBLE
Two versions,
up to 550 Nm or 1000 Nm

2 FAST
High output speed

3 ERGONOMIC
360° swivel joint without detent steps
0% kickback at end of force

4 PRECISE FIT
Telescopic reaction arm
with digital counter

Hardcase trolley,
protection class IP 67

+ ERGONOMIC

- ▶ Low-vibration and low-noise operation thanks to brushless precision drive
- ▶ Reaction arm with stop buffer: Pressure-sensitive surfaces are protected



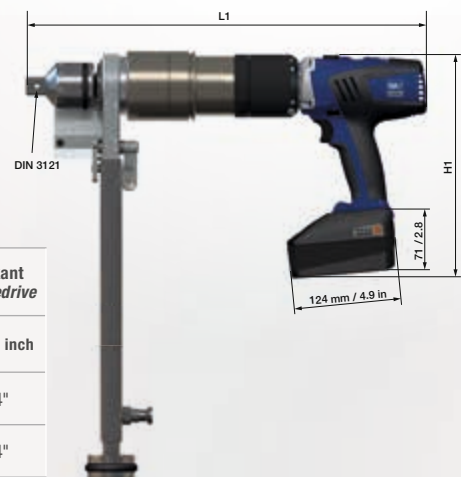
+ SAFETY

- ▶ Smooth starting and braking behaviour
- ▶ No damage to surfaces
- ▶ Digital counter with high resolution avoids damage



+ PERFORMANCE

- ▶ Patented fully automatic swivel joint lock: Prevents blows to the wrist or arms, no tearing of the nutrunner
- ▶ Precisely fitting accessories for every application thanks to extensive extension packs
- ▶ Fast working thanks to 4-speed gearbox



DATA // MODELS

Typ Type	Drehmoment Max. torque		L1		H1		Drehzahl Max. speed		Gewicht* Weight*		Vierkant Squaredrive	
	Nm	ft-lbs	mm	inch	mm	inch	U/min	rpm	kg	lbs	Zoll	inch
DA2-05motion	550	410	395	15.55	253	9.96	11,1	11,1	5,1	11.2	3/4"	
DA2-10motion	1.000	740	395	15.55	253	9.96	6,8	6,8	5,9	13.0	3/4"	

Technical data without guarantee. *Details without reaction arm and battery. Battery weight: 0.75 kg