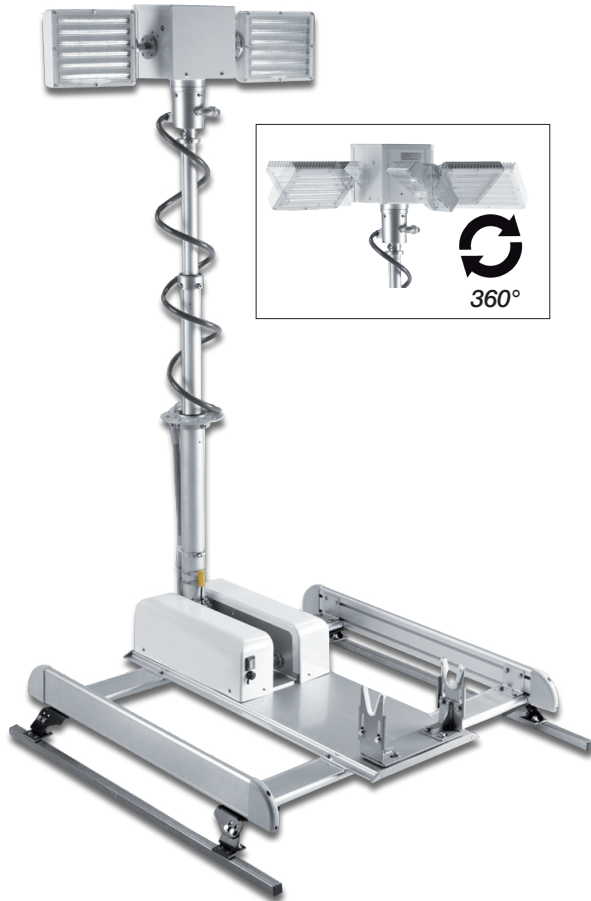


NIGHT DEFENDER

NIGHT DEFENDER

Tower light - Led lamps 12 - 24 volt



option: control wireless

- Features a light, robust, telescopic mast in aeronautic grade light alloy, the lift up to cm180 assures the ideal height of the cone of light
- The two powerful rotating and inclinable lamps features 48 latest generation LED each one for a total of 96 cold light LED, is possible to operate one lamp only or both together to have full illumination.
- The mast movements are operated by four electric motors and one micro air compressor integrated in the group base, all operations are actually without noise.
- The opening and folding operations are fast, simple and intuitive, can be controlled at distance by 2 remote controllers, one wireless and one with cord and jack usable as back up unit to be connected directly in the group socket.
- The cross bar that hold the lamps can rotate by 360°, lamps can be inclined pointing the light cone in the topic point.
- The operations of opening / extending the mast and the mast repositioning in driving mode require a time of only 55 seconds.
- At the end of the intervention the mast repositioning to driving mode is completely automatic whatever would have been the latest lamps position.
- The group can be installed on the top of all vehicles without necessity of tests and traffic authority certifications.
- The installation kit supplied with group includes brackets, bars and various fastenings to reduce at minimum the adaptations necessity, the electric wiring connection is real basic (only two cables).
- Group is retrofittable and can easily be installed in few minutes on other vehicles
- Insensitive to rain, snow, wind, ALWAYS READY FOR USE!

Lumionous flux is 12.000 LM.

The must height is adjustable up to 1,8 mt. The group is a synthesis of technology, effectiveness, high illumination power, simplicity of installation and use, running and purchase economy.

NIGHT DEFENDER

NIGHT DEFENDER

Tower light - Led lamps 12 - 24 volt

- More available space on board, less transported weight and more loading capacity.
- No risks of accidents from electric shocks in case of rain or accidental contacts.
- No necessity of transporting other fuels or refilling, no noise, no smokes, no vibrations.
- No annoying operation of loading, down loading and positioning on ground.
- No typical engine starting problems in winter or after long inactivity.

NIGHT DEFENDER is a modern 12V or 24V illumination system for night operations designed as accessory and powered by the electric circuits of: trucks, 4WD vehicles, fire fighters, civil protection and surveillance vehicles, towing trucks, vans for maintenance of utilities networks, ambulances, mobile workshop, security and police vehicles. **Lumionous flux is 12.000 LM.** The mast height is adjustable up to 1,8 mt. The group is a synthesis of technology, effectiveness, high illumination power, simplicity of installation and use, running and purchase economy. The movements of extension, 360° rotation and lamps inclination are controlled by two wire less and wired remote controllers, 4 electric motors 12V or 24V and micro pneumatic air compressor integrated in the base. The mast is extensible in two phases, one with "book type" opening, a second one by a telescopic movement powered by two stage air cylinder. Both the lamps features 48 LED each a total of 96 LED that assures an exceptional illumination and a large light cone area. The 12V or 24V functioning means convenience and safety, the electric absorption is minimal thanks to the low consumption of leds. **NIGHT DEFENDER** weights only 45 Kg, can be easily removed and installed in few minutes on other vehicles of the same fleet, the maintenance necessity is easy and minimal, the quality of components, materials, and treatments is thought for military standard, this assure thousands of hours of use impeccable, precise and safe.



TECHNICAL CHARACTERISTICS	NIGHT DEFENDER
Weight (kg)	45
Dimension folded (LxWxH) (cm)	110x90x27
Dimension with max extended (cm)	180
Mast height	1,8 mt adjustable
Lumionous flux	12.000 lumen
Light power	12V or 24V
Electric absorpion	2 lamps with 48 led each - 96 led totally
Led type	Gen III 3W cold light
Lamp rotation	360°
Lamp inclinations	Adjustable 180° (from hour 12 to 6)
n°electric motor	4
Function	with vehicle engine ON or OFF
Remote controllers	2 (1 wireless+1wired with 3 mt cable and jack)
Mast material	Ergal/alu light alloy anodized
Mast movements	4 electric motors and 2 stage pneumatic telescropy cylinder
Pneumatic supply cylinder	12V or 24V micro air compressor
Mast folding	Automatic return from any left previous position
Lamps light ON/OF	Only when the first lower segmaent of the mast is vertical