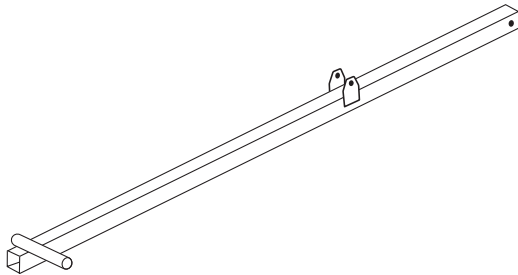


Part Number	Description
RB-54	Portable Reel Buck

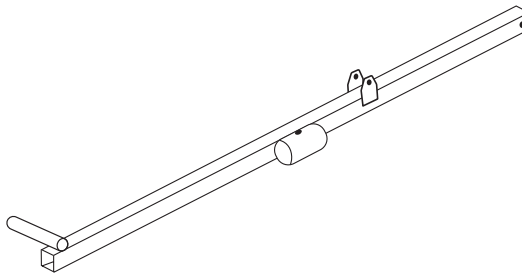
PATENT PENDING



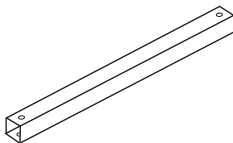
Components



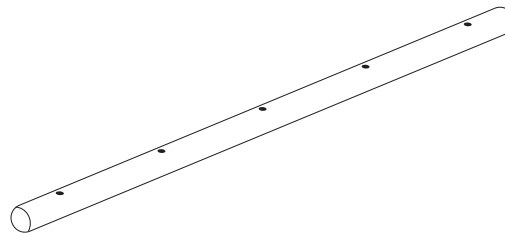
Left Handle RB-54-LH



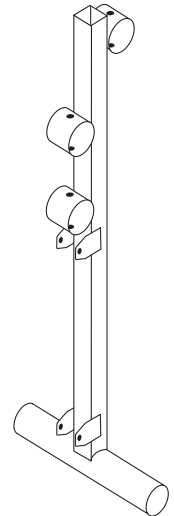
Right Handle RB-54-RH



Support Tube (x2) RB-54-ST



Axle RB-54-AX



(x2) RB-54-UW



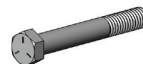
Square Plug (x10)



Hex Nut (x6)



Split Lock Washer (x6)



Hex Bolt (x6)

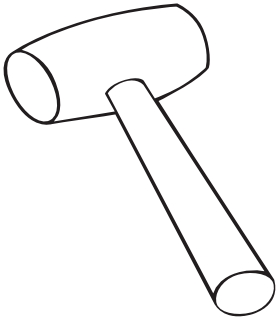


Flat Washer (x12)

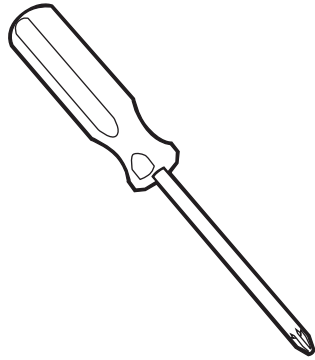


Clevis Pin (x2)

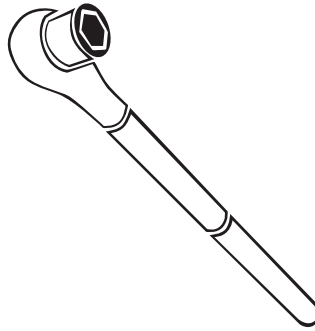
Required Tools



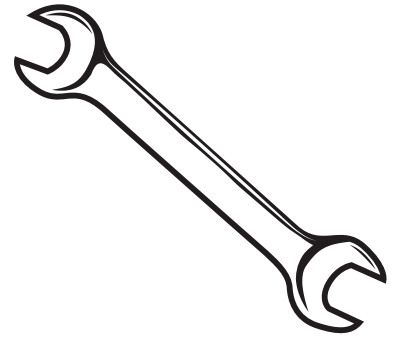
Rubber Mallet



Medium Phillips Screwdriver



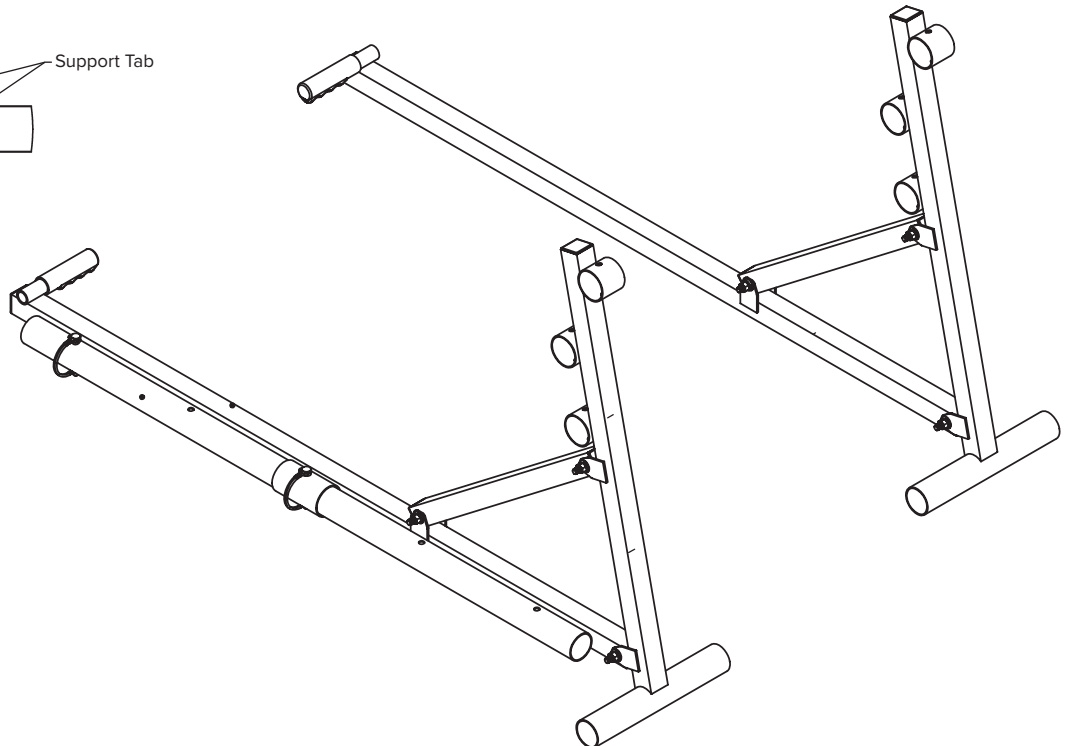
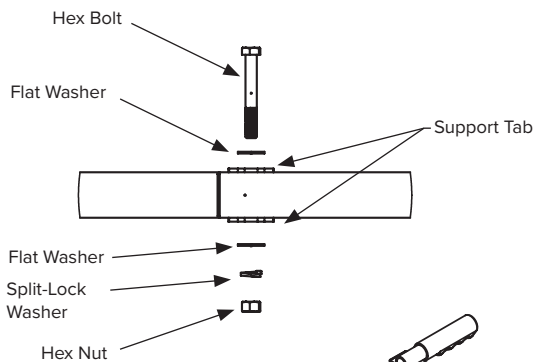
Ratchet Tool with 9/16" Socket



9/16" Wrench

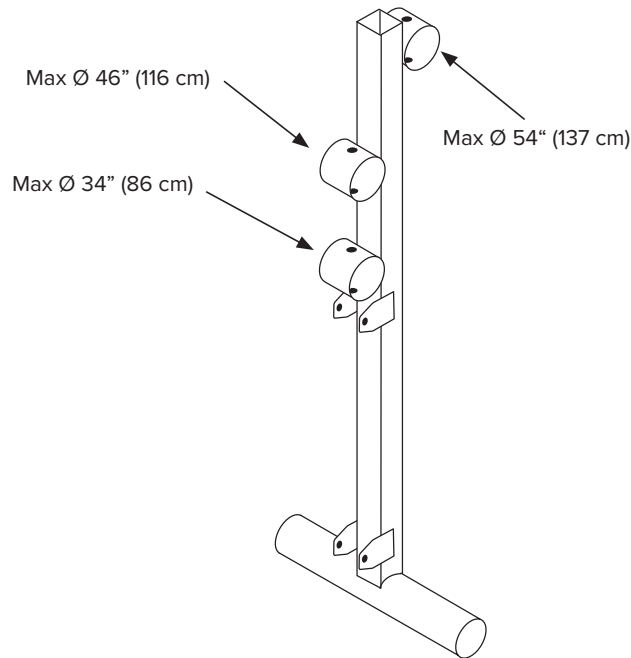
Assembly

1. Insert Square Plugs into:
 - Both ends of both support tubes
 - Top end of both legs
 - Both ends of both handles
2. Using rubber mallet insert end of left handle between lower support tabs in leg. Rubber handle and support tabs on handle shall be above tube. Make sure holes align by inserting screwdriver through holes. Use fasteners in the following sequence to secure both pieces together.
3. Assemble the support tube between the left handle and the leg using the support tabs, in the same manner. Secure each joint using the same fastener sequence.
4. Tighten hex bolt and nut using the ratchet tool and wrench
5. Repeat the process for the right handle.
6. For transportation insert the axle through the axle support tube on the side of the right handle and secure in place using one clevis pin. Insert the other clevis pin through another hole to prevent misplacement.



STEP 1

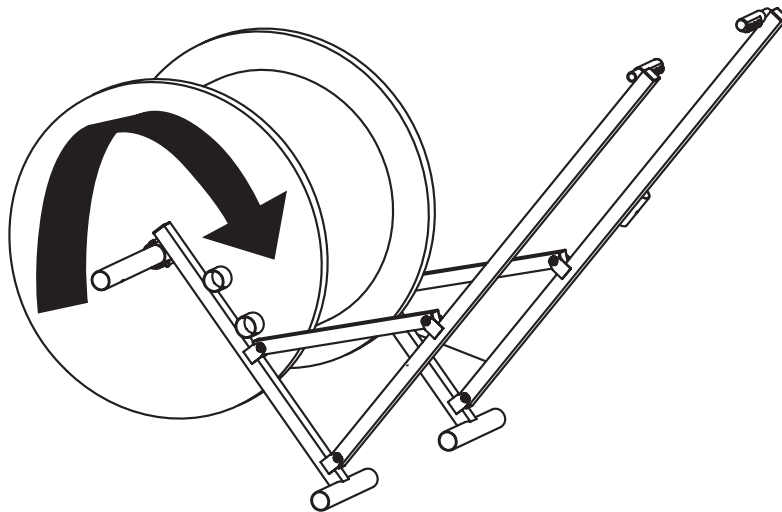
Align the axle support tubes on the leg, one on each side of the reel, with the reel center hole. Choose the support tube to use in accordance to the reel size.



WARNING

Total reel weight must be 1000 lb (453 kg) or below. Total spool diameter must be 54" (137 cm) or less. Exceeding these capacities may cause the unit to buckle and break, and cause injury.

Make sure the contents of the reel is wound up in a clockwise direction, as seen from the left side.



CAUTION

Allowing the spool to unwind in the opposite direction may tip the reel buck over, which could cause injury and/or property damage.

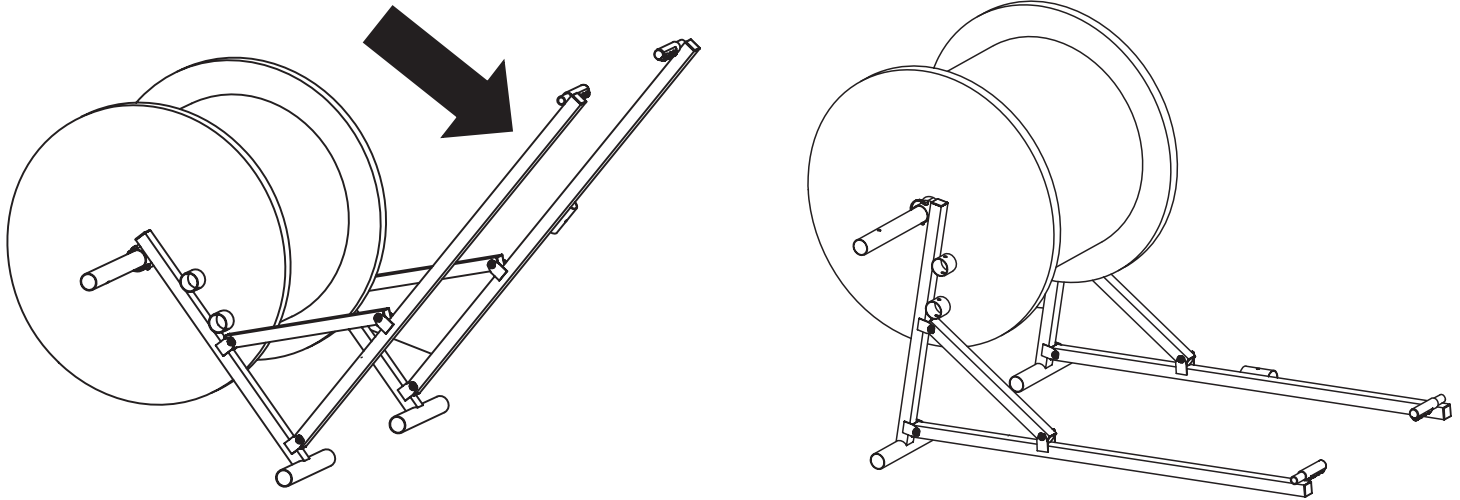
STEP 2

Insert the axle through one axle support on the first leg, the reel and the other axle support on the other leg. Secure the axle to one axle support by inserting a clevis pin through the holes in the support and the axle. Bring the leg on the other side of the reel as close to the reel as possible, and then secure in place with the clevis pin, by inserting through the hole in the axle support, and the closest hole available in the axle. With the reel installed and clevis pins in place, push both handles down until they touch the ground.



CAUTION

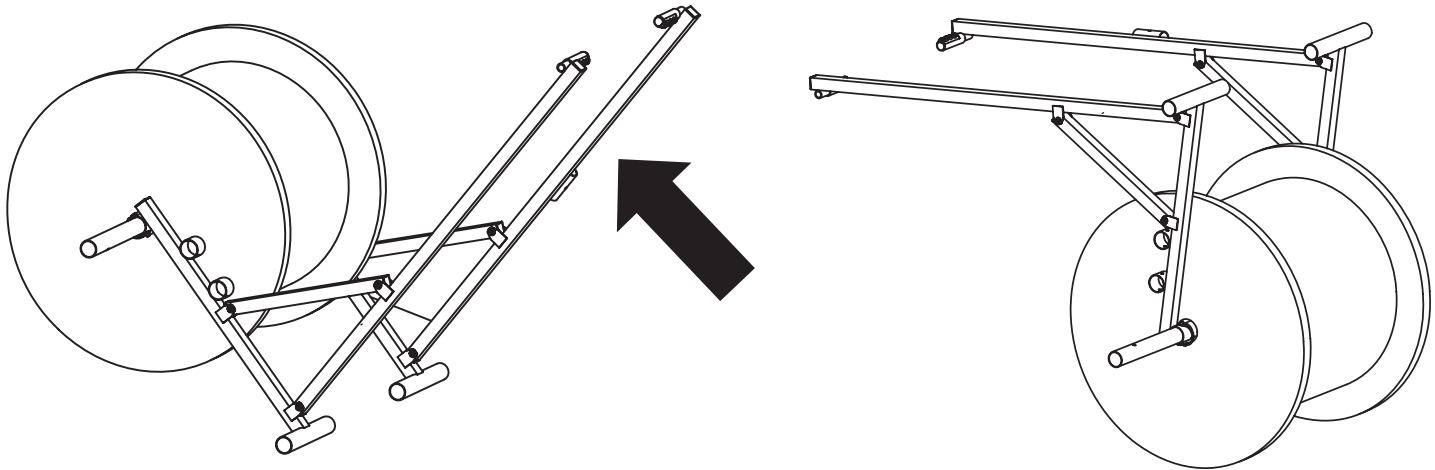
Do not put any part of your body below the handle as it comes down, as it could be crushed by the weight of the reel.



The contents of the reel can now be unwound safely.

STEP 3

The reel buck can also be used to move the reel. To do this simply push on the axles up after setting up the reel. The reel can now be pushed around like a wheel barrow.



CAUTION

Use on horizontal surfaces only. The weight of the reel may be too high to be controlled going up or down slopes.

