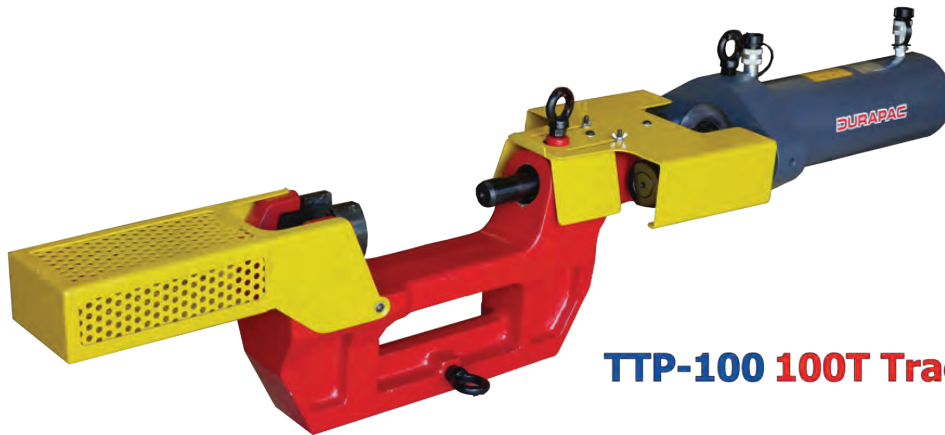








HYDRAULIC TRACK PRESS



TTP-100 100T Track Pin Press

This portable track pin press makes it possible to disassemble and reassemble chain sections, driving wheels, pulleys, rollers, gears, bearings and shafts in the field or workshop.

SPECIFICATIONS

Model No.	TTP-100	
Description	Portable 100T Track Pin Press	
Frame & Cylinder Weight	213kg	
Complete TTP-100 Weight (packaged without pump & hose)	500kg	
Package Dimensions (Box)	1700mm x 600mm x 700mm (LxWxH)	
Suitable for Pin Set Size		
Diameter (mm)	Length (mm)	
19.3 - 60.2	160 - 320	
Recommended Compatible Pump (Ordered Separately)		
Pump Type	Model Number	Image
Hand	P-2800D	
230V/50/1 Electric with Gauge & Remote Pendant (Standard Supply)	SPEM45054L	
Air Hydraulic	DPA-38D	
Petrol	PPM2014	

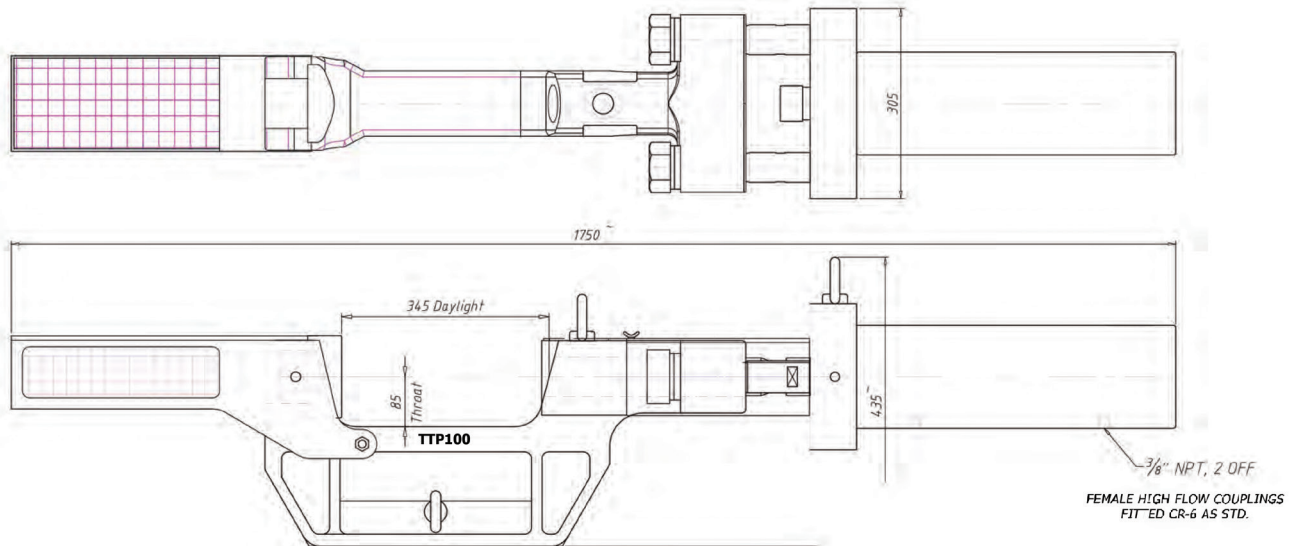
Hydraulic Hoses (Specify Length, Sold Separately)

Pressure Gauges (Sold Separately Unless Otherwise Stated)

"Makin' the Hard Jobs Easy"



HYDRAULIC TRACK PRESS



SPECIFICATIONS :

1. CAPACITY : 100 ton (929kN)
2. CYLINDER STROKE : 350 mm
3. WORKING PRESSURE : 700 kg/cm²
4. EFFECTIVE AREA : 132.7 cm²
5. OIL CAPACITY : 4645 cc
6. APPROX. WEIGHT : 213 kg (TPP+TIE RODS+NUTS+CYLINDER)

"Makin' the Hard Jobs Easy"



HYDRAULIC TRACK PRESS

ADVANTAGES OF THE MASTER PIN PUSHER:

- Safe and effective removal/installation of Track Pins, Master Pins, Bushings and Master Bushings
- Reduction in labour hours
- Cost effective
- Eliminates old dangerous methods
- Makes field operations easier

EVERY TTP-100 100T TRACK PIN PRESS INCLUDES:

- 100T (929kN) x 350mm stroke 700 bar cylinder, C-Frame, safety guards and lifting eyebolts.
 - 10 sets of tooling to suit pin sizes: **19.3 – 23.7, 23.7 – 30.1, 30.1 – 33.2, 33.2 – 36.4, 36.4 – 39.6, 39.6 – 42.8, 42.8 – 45.9, 45.9 – 52.3, 52.3 – 58.6 & 58.6 – 60.2mm.**

These sizes will cover most tracked applications in the marketplace - up to a Caterpillar D10 or Komatsu PC1250 Bulldozers, for example.
 - 20T x 12mm stroke flat jack
 - Set of hand tools
 - Cylinder seal kit
 - Chain Block
 - Tripod
 - Flat Sling
 - Wooden Carry Case (Includes separate compartments for every pin set - each tooling set has the dimensions engraved on them accordingly)
- Used to assist the positioning of the Pin Press during operation in the field

HTC Ltd. can supply upon request a tooling chart itemising different brands of machines, model numbers and track pin diameters used.

"Makin' the Hard Jobs Easy"