

THE **DBJ-SERIES** BOTTLE JACKS ARE A PREMIUM RANGE IDEALLY SUITED TO MOST INDUSTRIAL LIFTING AND PUSHING APPLICATIONS.

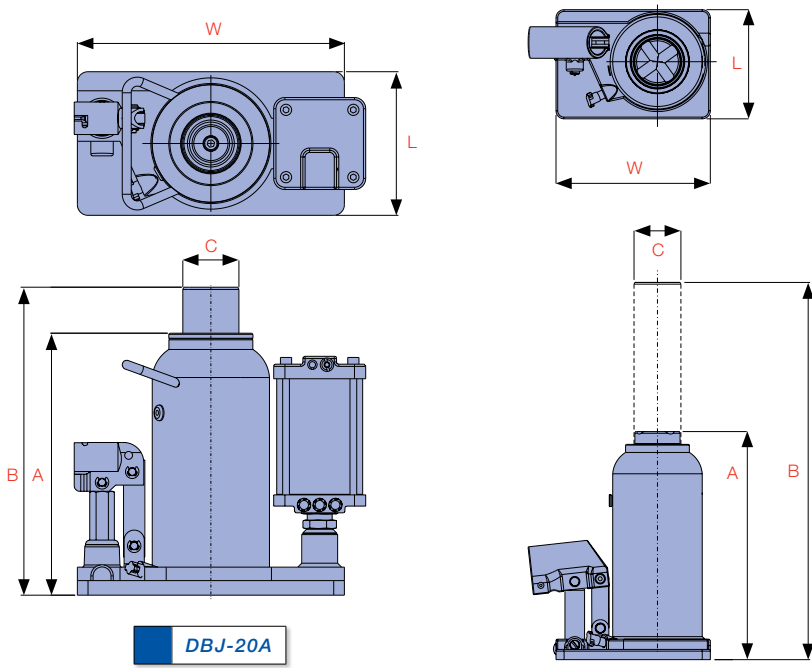
Models from 10-20 ton feature an additional screw extension and most can be used in both the vertical and horizontal positions. Spare parts and seal kits are available for all jacks.



DBJ-20A MODEL

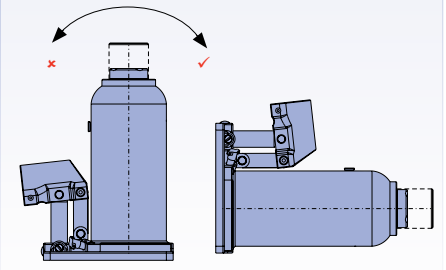
also includes a fast motion air pump for greater actuation and comes complete with a 3 piece saddle set (16, 45, 80 mm saddle heights)

Model Number	Operation	Capacity (ton)	Stroke (mm)	A Collapsed Height (mm)	B Extended Height (mm)
DBJ-10	Manual	10	147	240	387
DBJ-10S	Manual		95	170	265
DBJ-20	Manual	20	152	265	417
DBJ-20S	Manual		85	187	272
DBJ-20A	Air/Manual		150	235	385
DBJ-30	Manual	30	155	282	437
DBJ-30S	Manual		80	182	262
DBJ-50	Manual	50	155	305	460



HORIZONTAL OPERATION

10 and 20 ton models except DBJ-20A can be operated horizontally. Hydraulic stroke will be reduced to approximately 2/3.



C Piston Rod Diameter (mm)	Base Dimensions L x W (mm)	Screw Extension & Saddle Set Auxiliary Height (mm)	Air Pressure Range (kgf/cm ²)	Weight (kg)	Model Number
42	105 x 166	85	-	8.2	DBJ-10
42	105 x 166	55	-	6.4	DBJ-10S
55	128 x 181	85	-	13.3	DBJ-20
55	128 x 181	55	-	10.0	DBJ-20S
50	128 x 238	16, 45, 80	8-12	14.5	DBJ-20A
62	142 x 197	-	-	19.6	DBJ-30
62	142 x 197	-	-	13.8	DBJ-30S
85	200 x 260	-	-	42.3	DBJ-50