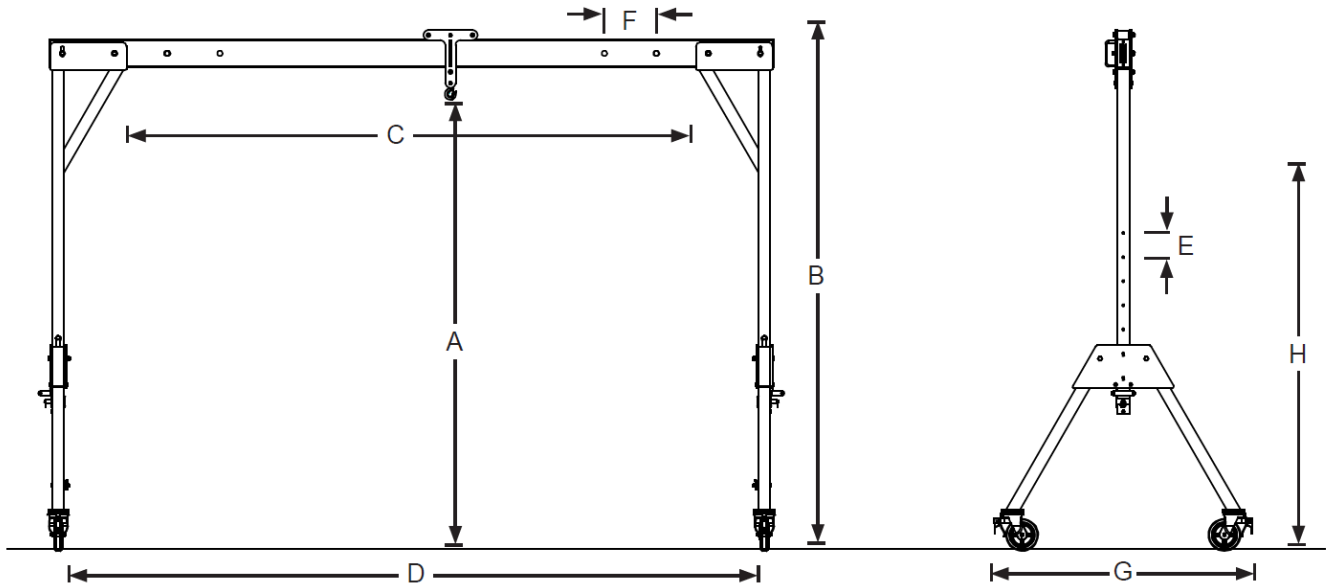


2T GANTRY CRANE



A	B	C	D	E	F	G	H
Max/Min Height To Lifting Eye	Max Height To Top Of Trolley	Max Working Span	Span Between Wheels	Height Adjustment	Span Adjustment	Max Width Of "A" Frame	Stored Height of "A" Frame
114" (289 cm) 84" (213 cm)	128.5" (326 cm)	82" (208 cm)	10' (304 cm)	6" (15 cm)	13" (33 cm)	60.625" (153 cm)	100" (254 cm)