



"Makin' the Hard Jobs Easy"

IKURATOOLS

LIGHT BORER

Portable handy type magnetic borer

LIGHT BORER

Adaptable for the small space,
A powerful motor carries out
a comfortable activity.

NEW

Maximum hole size
Hole diameter **30 mm**
Depth **35 mm**

Hole diameter
Hole diameter **11.5 mm**
Depth **6 mm**

IS-LB30SX



Main body weight
8.9kg

High-stiffness slide with head

Reducing the axis blurring of the blade and make the durability of the knife better. More highly precise processing is possible. (PAT.P)

High-stiffness slide with head

An axle does not move slightly

Powerful Motor

Super high brightness LED



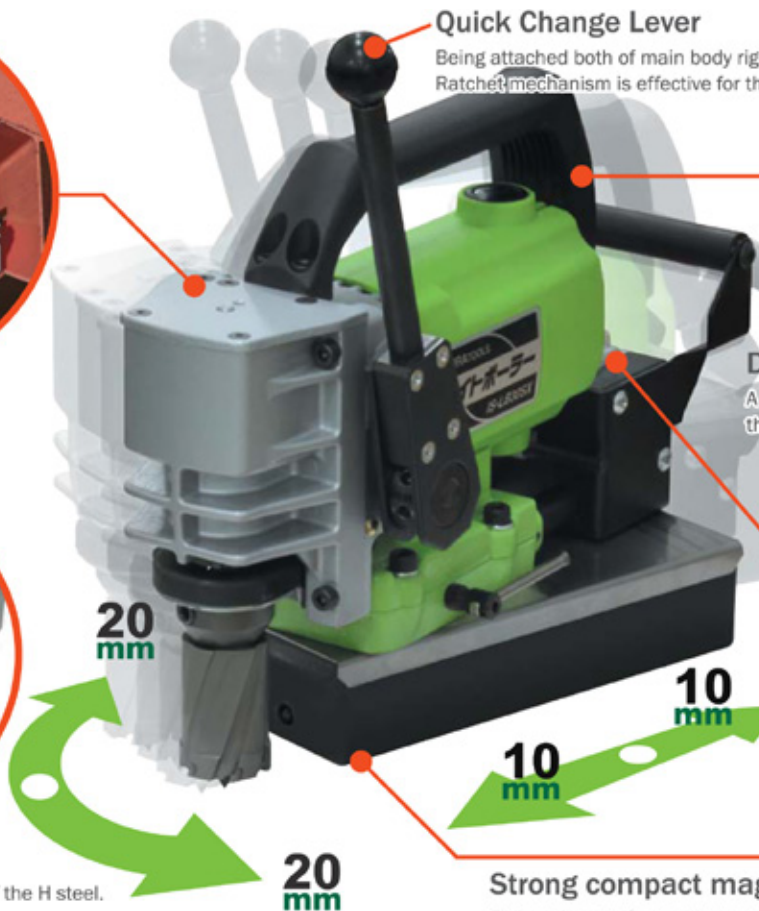
Swing Head

Right and Left 40mm
Front and Rear 20mm



Compact

100 x 100mm
Processing it into a wave surface of the H steel.



Quick Change Lever

Being attached both of main body right and left.
Ratchet mechanism is effective for the small place



Design Grip

A resinous grip of the shapes that it is easy to hold.



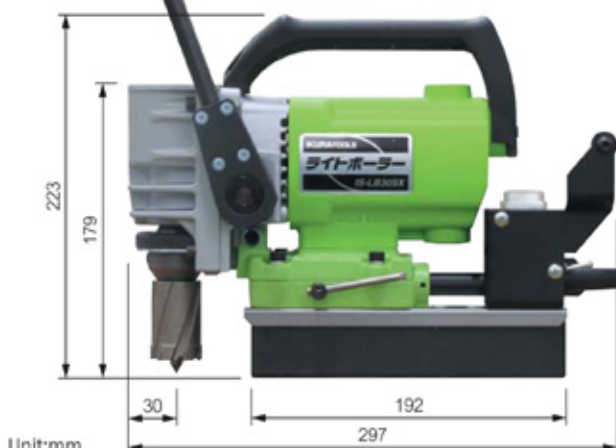
Switch with the dust cover
Magnetic switch has a dust cover.

Strong compact magnet

Fix it well even if attaching a machine perpendicularly.



A tremendous performance even if it is a small size.



Unit:mm

Specification

Blade Rotation	790min ⁻¹
Electric Consumption	850W
Power Supply	AC100V 50/60Hz
Dimension for main body	W121×L297×H223mm
Weight	8.9kg
Dimension for magnet	192×70mm
Max Magnetic Force	5.5kN
Min adhered panel	6mm
Stroke	49mm

Accessories

- Carrying Case
- Safety Fixed strap
- Hexagon Wrench for replacement blade #5
- Spray complete set cutting oil