



RAIL INDUSTRY PRODUCT GUIDE

Sales Service Calibration Hire

HTC has been creating specialised tooling solutions for New Zealand industry for over 40 years.

Specialists in 700 bar hydraulics, HTC offers more than 35 years of experience in the supply and application of high pressure hydraulic equipment. HTC sources and supplies solution-based tools and equipment for electrical contracting, railway, construction, engineering and drainage industries.

With branches in Auckland and Christchurch, HTC offers equipment sales, service, repair, calibration and tool hire.

“We are passionate about making the hard jobs easier for our customers. Call us today to see how we can help with your next project.”

Robb Huskinson
Owner/Director



Suppliers

HTC sources from world leading manufacturers with respected brands and proven products. We evaluate manufacturers by visiting their factories and thoroughly testing their tools before we offer products to our customers for sale and hire. HTC suppliers include Jameson line clearing tools, CHANCE lineman tools, Greenlee, Portable Winch, Durapac, Tohnichi torque equipment and many more. Manufacturers' warranties are backed in our own workshops, so you can be confident of ongoing servicing and support for your equipment.

CHANCE[®]



DURAPAC
ENGINEERED FOR RELIABILITY

JAMESON

DOA
Hydraulic Tools

GREENLEE[®]
A Textron Company

Thaler
JAKOB THALER GMBH

and many more!





Index

07

Accessories

08

Ballast Work

10

Bolting/Coachscrews

12

Bolting Accessories

13

Traction and Signals
Equipment

14

Cable and Contact Wire
Equipment

17

Lifting Gear

18

Grinding and Rail
Preparation

19

Grinding and Rail
Preparation

20

Hand Tools

22

Measurement and
Testing

24

Overhead
Workshop Equipment

25

Workshop Equipment

26

Hydraulic Pumps
Hydraulic Pumps
Rail and Bonding Drills

27

Rail and Bonding Drills

28

Sleeper Processing

30

Tensors, Benders, Crows

31

Tensors, Benders, Crows
Track Jacks

32

Trolleys and Platforms

33

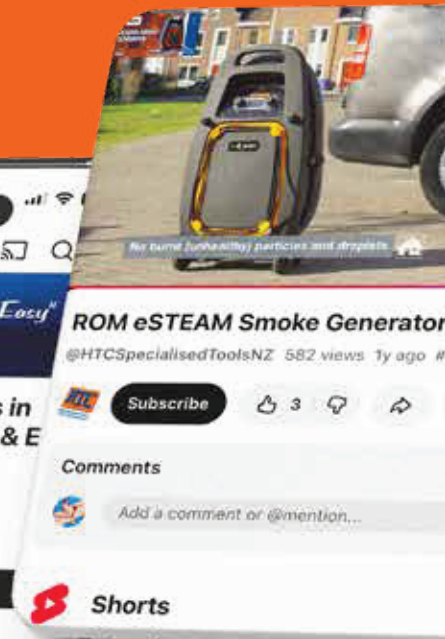
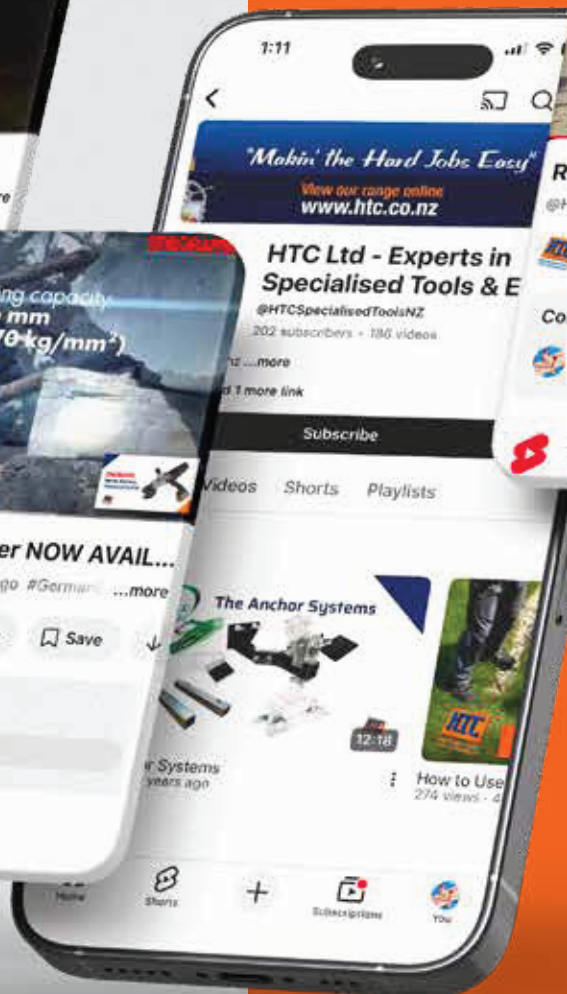
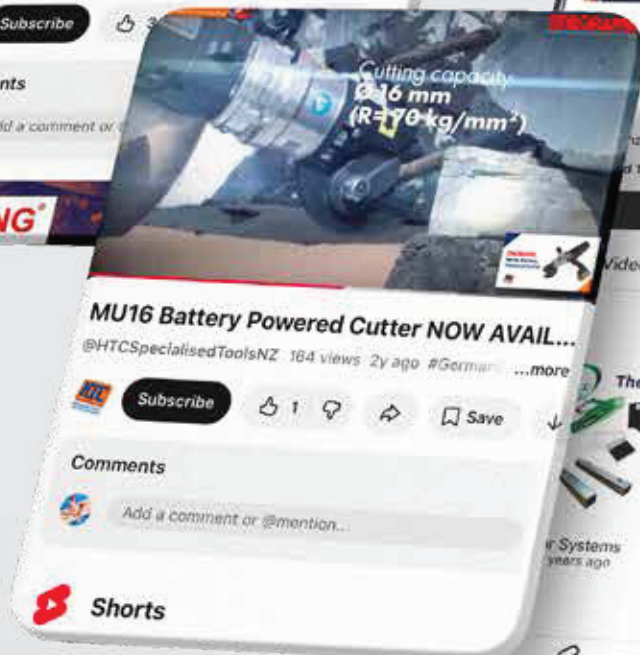
Welding

34

Winches

VIEW OUR RANGE ONLINE AND FOLLOW US ON YOUTUBE!

@HTCSpecialisedToolsNZ



Ballast Work

Liftable light weight multi head tampers, can be supplied on powered base trolley



Track ready Tampers and levelers, designed for NZ compliance



Portable battery and petrol tie tampers



Excavator mounted tamping heads



Pole Tampers



Track Brush Tool for Road-rail Loader & Excavator



Accessories

Wheel Chocks and Safety Flags



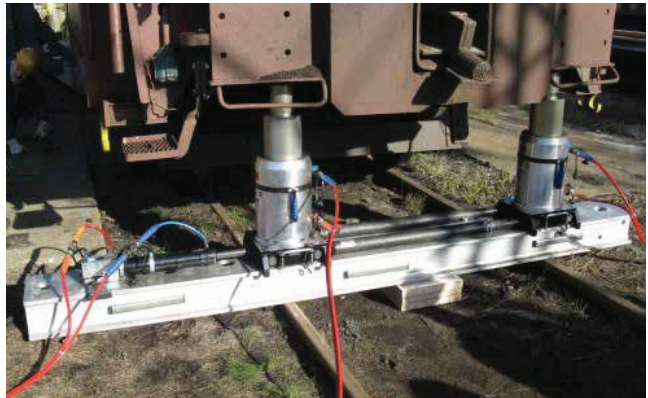
De-railing Sets



Tongs and Rail Handling Tools



Hydraulic Re-railing Systems



Rail Adzes



Range of Specialty Shovels and Spades



Bolting/Coachscrews

Hydraulic impact wrenches Extended shaft and custom modified for NZ



Heavy duty hydraulic impact wrenches, great for structures.



Wide range of accurate pneumatic torque tools, fully calibrated in house.



Manual Torque Wrenches, all sizes available.



Hydraulic Torque Wrenches, unlimited models and capacities for any application



Battery powered torque wrenches, highly accurate and portable.



Ballast Work

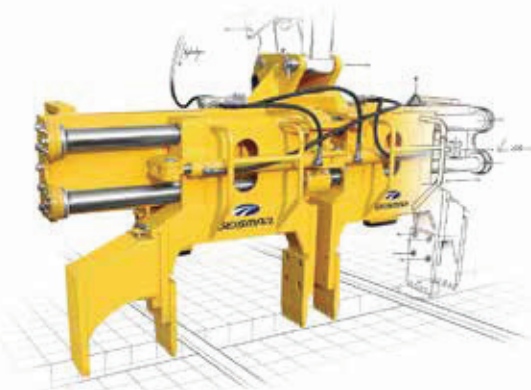
Ballast Undercutter Blade



Road-rail Loader



Ballast Clearing Beam



Road-rail All-Terrain Dumper



Road-rail Vehicle for Railway Equipment Handling



Bolting/Coachscrews

Manual Torque Multipliers



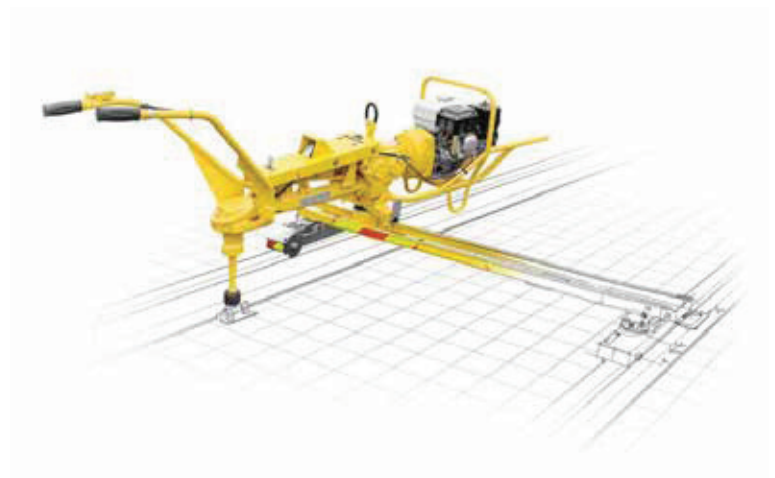
Petrol-Powered Impact Wrench



Impact Wrench Trolley- remove back strain risks on larger projects



Compliant and precision coach screwing machines



Bolting/Coachscrews

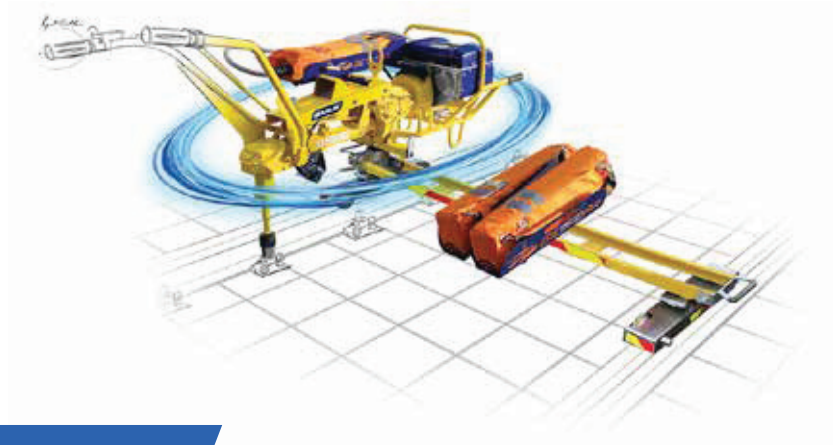
Heavy Duty Multipurpose Clippers



Battery-Powered Coachscrewing Machine

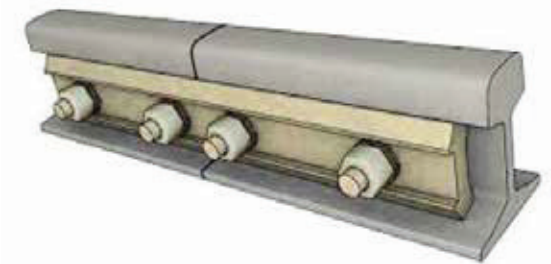


Battery-Powered Impact Wrench v



Bolting Accessories

Fish Plate and Shim Systems



Sockets

Designed specifically for rail applications and to be hard wearing in the field. Large range available including square, bi-square, and rectangle.



Cable and Contact Wire Equipment

Battery Hydraulic Crimpers



Hydraulic Crimp Heads. 12, 25, 60, 100, 200 ton or larger available



Manual Hydraulic Cable Cutters



Cable Cutters for Cable, Wire and Catenary Wire



Contact Wire Straightening Tool



Battery Contact Wire Cutter



Battery Contact Wire Straightening Tool



Battery Powered Contact Wire Cutter, circular blade type



Traction and Signals Equipment

Telescope/Measuring



Insulated Gloves



Conductor Covers



Universal/Hotstick



Pulling Grips



Calibration, Testing, and Inspection Services

Now, more than ever, keeping your people safe means keeping your equipment in working order and compliant with the current standards. The experienced team at HTC is here to help.

- Tests performed to comply with all relevant standards by experienced staff
- Presale and cyclic testing available
- All tests are traceable with secure certificate storage



Keep your
people safe!

Talk with the HTC
Team today about
your testing needs.

“The speed and
efficiency of getting our
equipment back tested and
certified was second to none.”

Dave B.
Client

Torque Testing

- Latest generation testing equipment, compliant with the ISO standard
- Manual wrenches and screw drivers
- Hydraulic Wrenches
- Powered torque multipliers



Dielectric Testing

- Hi Voltage Insulation Testing
- PPE and Tools



Work Boots

Gloves

Sleeves

Live Line and Utility Sticks

Load Cells



Hydraulic Saws and Pruners



Arborist Tools and Equipment

Tension Meters



Lifting Slings Inspection



Height Safety Inspection



Lifting Gear

Chain Blocks



Lever Blocks



Electric Hoists



Porta Gantry

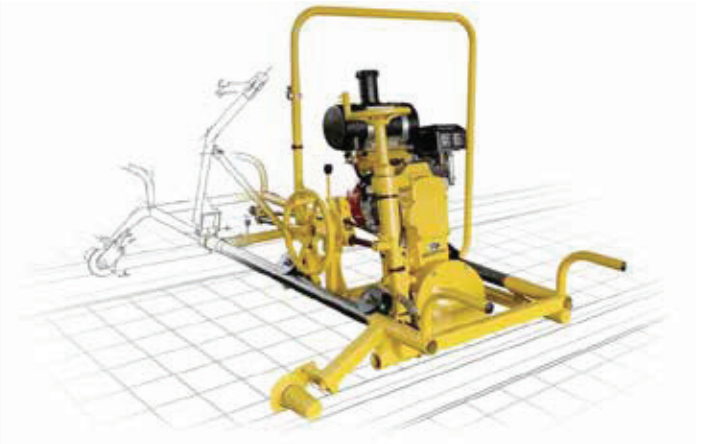


Grinding and Rail Preparation

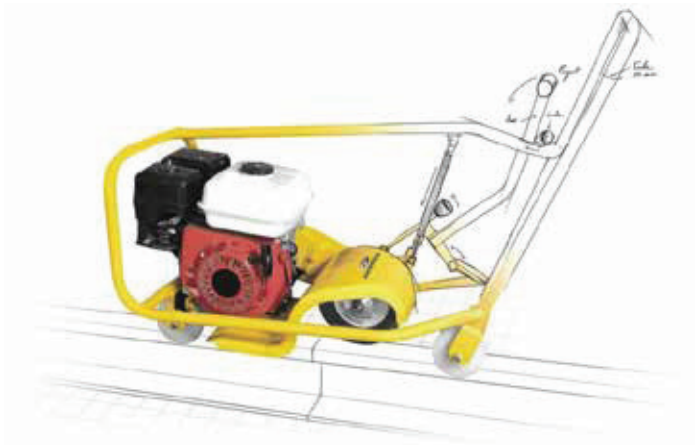
Rail Profile Grinders



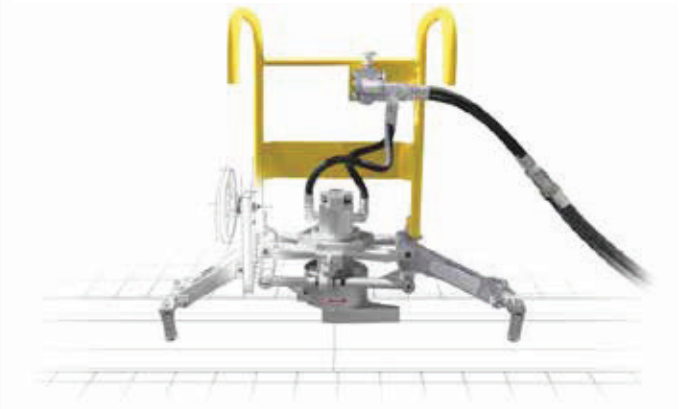
Frog Grinding Machines



High Output Rail Descaling Machines



Lightweight Hydraulic Rail Profile Grinders



Battery-powered Abrasive Rail Saws



Hydraulic Rail Saws



Grinding and Rail Preparation

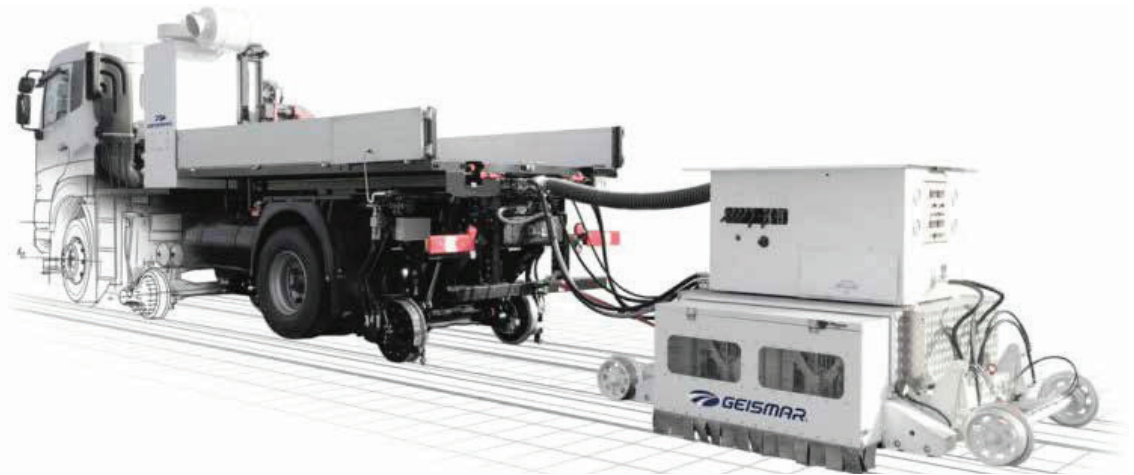
Battery-Powered Rail Profile Grinder



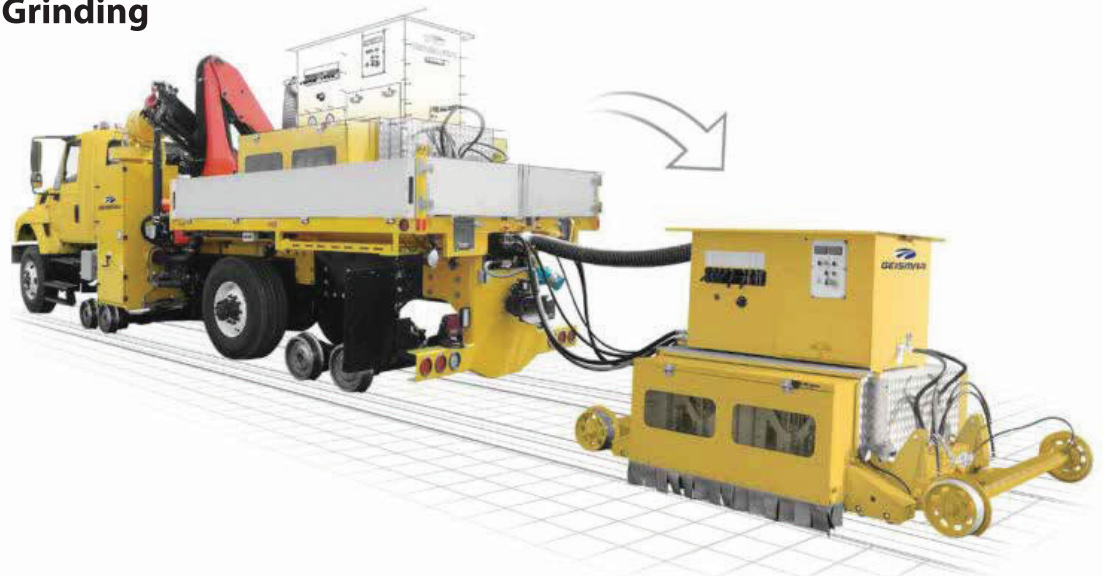
Lightweight Abrasive Rail Saw



Track Grinding Hi-Rail Vehicle



Track Maintenance Grinding Hi-Rail Vehicle



Hand Tools

Hacksaw



Level



Sledge Hammer



Combination Lineman Plier



Side Cutters



Long Nose Plier



Hand Tools

Screwdriver Set



Screwdriver Set Insulated VDE 1000V



Sockets



Impact Sockets



Tool Kits



Extensive selection of hand tools and accurate measuring tools.

Koken Mitutoyo
felo TopMan

Measurement and Testing

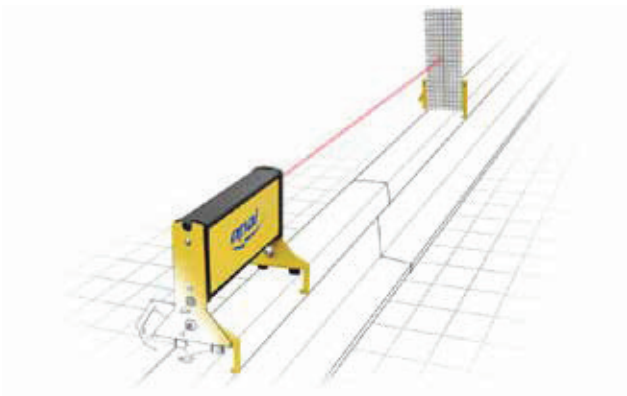
Track Gauge



Track Gauge Digital



Laser Alignment



Rail Weighing System



Rail Temperature Gauge



Track and Catenary Measurement and Control Track Motorcar



Measurement and Testing

Track Measurement and Ultrasonic Inspection Trolley



Single Ultrasonic Inspection Trolley



Powered Ultrasonic Rail Inspection and Transport Trolleys.



Stagger and Height Gauge



Portable Wagon Weighing System

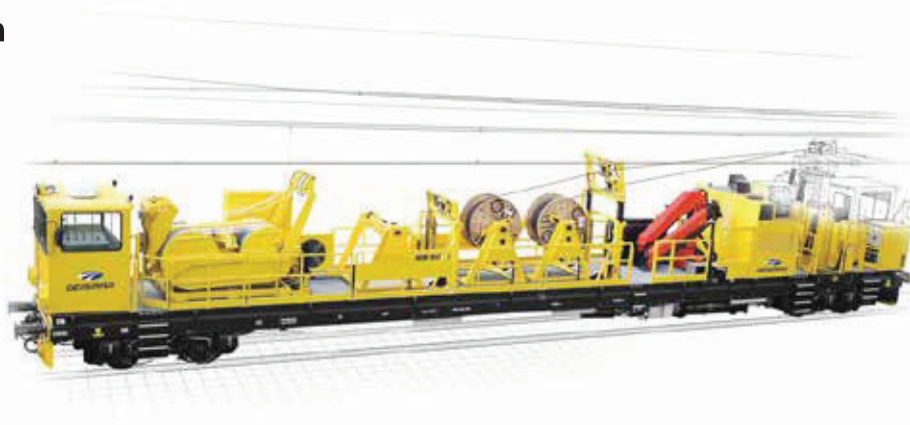


Track Distance Meter



Overhead

Rolling / Unrolling Wagon



Workshop Equipment

Cylinders



Hollow Cylinders



Electric Hydraulic Pump



Magnetic Drills



Workshop Equipment

Pipe Benders



Tube Benders



Cannon Press



Press Frames



Hydraulic Pumps

Hydraulic Powerpack
Diesel and Petrol



Torque Wrench Pump



Hydraulic Pump



Hydraulic Pumps

Hand Hydraulic Pumps

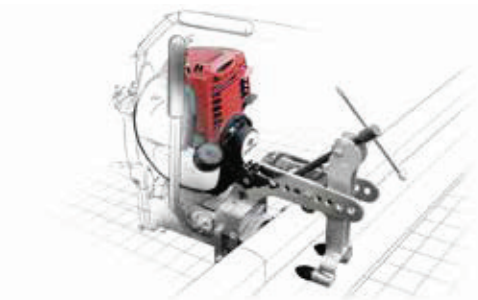


Air Hydraulic Pumps



Rail and Bonding Drills

Hydraulic Powerpack
Diesel and Petrol



Torque Wrench Pump



Hydraulic Pump



Rail and Bonding Drills

Wide Range of Cobalt and TCT Annular Cutters designed for Rail



Bush Install Tool



Bolt Hole Crack Prevention



Battery-Operated Rail Drilling Machine

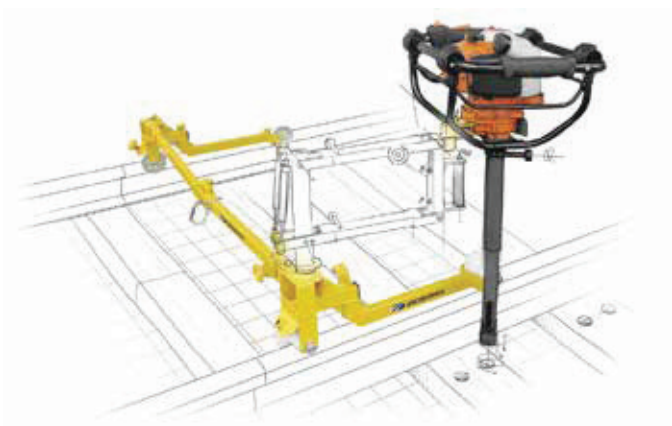


Sleeper Processing

Sleeper Drills



Sleeper Drill Counter Balance Trolleys



Considerable Range of Standard and Stepped Hardwood Augers



Sleeper Changing Machine



Mounted sleeper handler

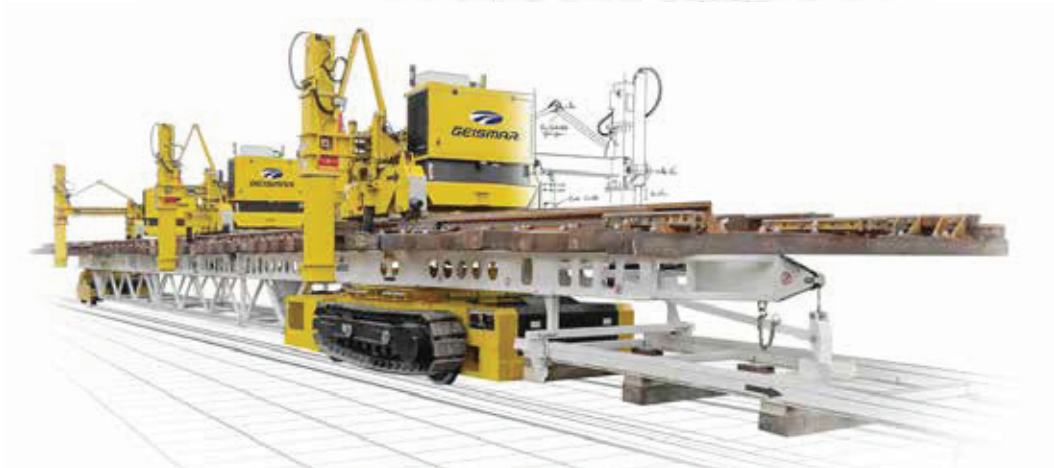
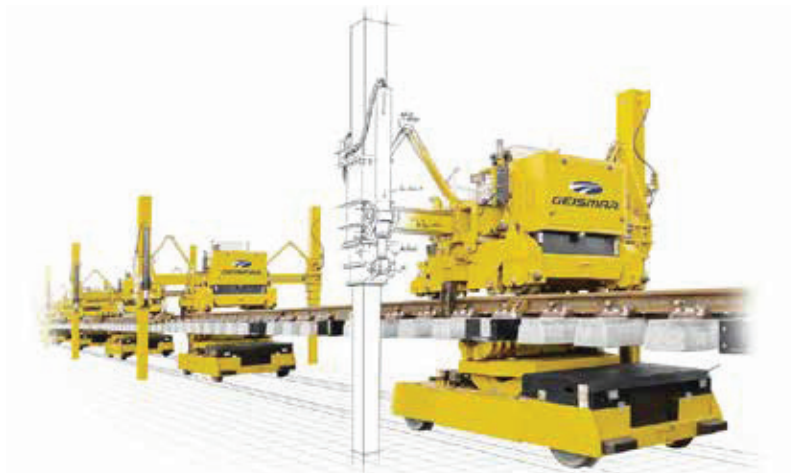


Sleeper Processing

Variable Sleeper Spacing Beam



Track Panel and Turnout Laying Systems



Sleeper Processing

Heavy Duty Drill Machine

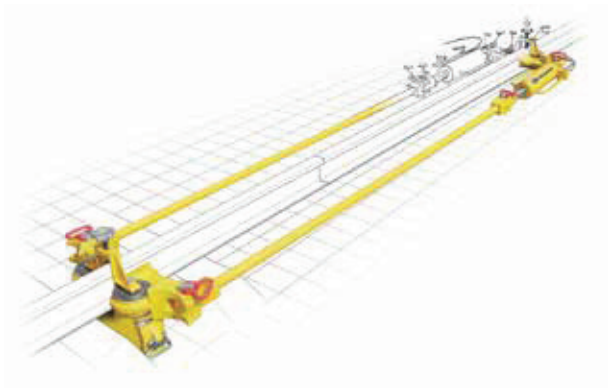


Sleeper Fixing Machine

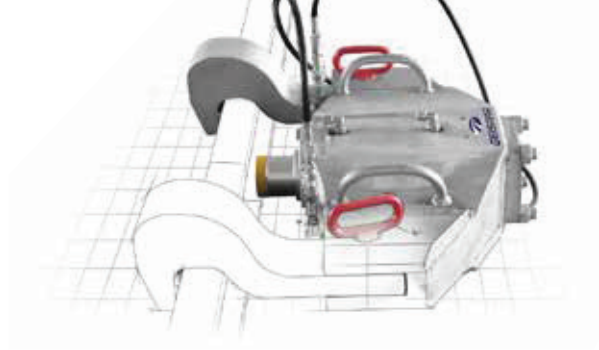


Tensors, Benders, Crows

Light weight Rail Tensors



Rail Crow

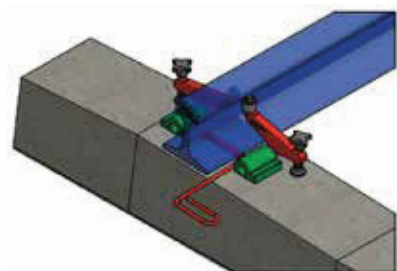


Switch Blade Hydraulic Bender



Destress rollers

Custom made to meet NZ Health and Safety requirements



Tensors, Benders, Crows

Horizontal Rail Bender



Vertical Rail Joint Bender



Track Jacks

Hydraulic Track Jack



Manual Ratchet Jack



Low Height Toe Jacks



Track Jacks

Bottle Jacks



Air Over Hydraulic Jacks

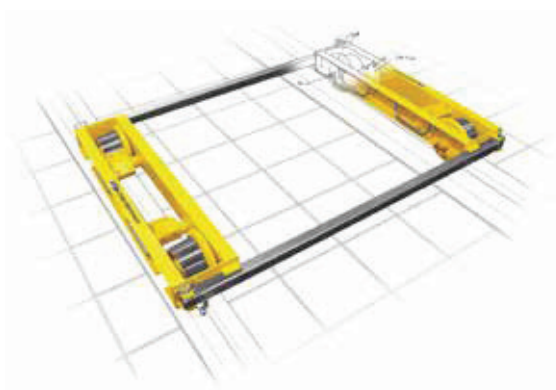


Trolleys and Platforms

Wide range of trolleys and platforms including powered and Braked

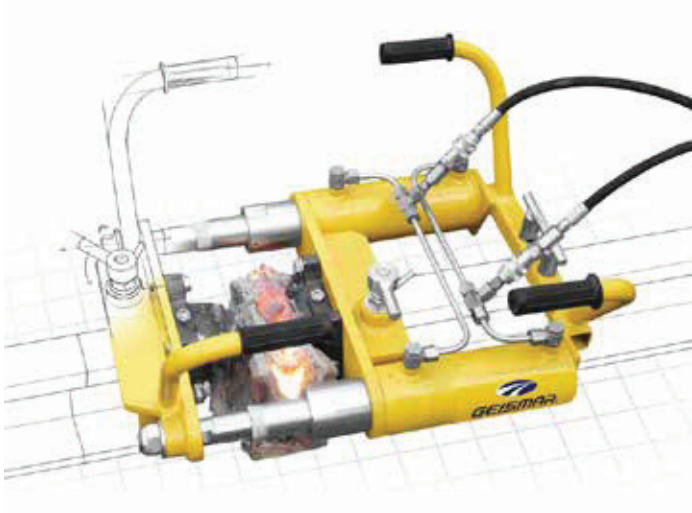


Damaged Bogie Rescue Trolley



Welding

Range of weld shears, hand pump or external supply



Flash-butt Rail Welding Machine



Robotic Welders



Track Welding Road-rail Vehicle



Winches

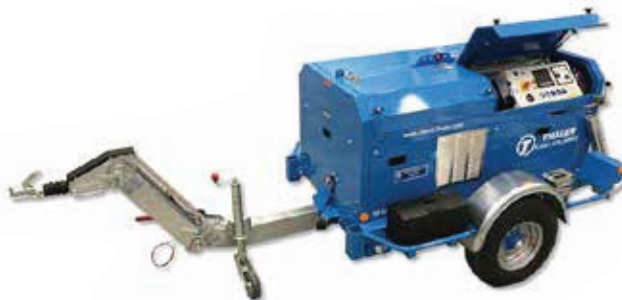
Lifting Winch



Portable Capstan Winch



10 Ton Cable Winch



HTC Merchandise

Unisex T-Shirt



Mug





HTC SERVICE

HTC's in-house specialist fitters are trained to provide fast, reliable and economic repairs and scheduled maintenance for your hydraulic tools and equipment.

Common parts are stocked for most products we hire and sell, which means you get your gear back quicker.

Worried about keeping your current projects progressing while your gear is being serviced? HTC offers discount hire rates when your own tools and equipment are being serviced by our specialist fitters.

HTC also supply seal kits, hoses, couplers, gauges, hydraulic fluids, coolants, cutters, punches, compression dies and a large range of other spares and accessories.

HTC specialist fitter's skills go beyond repairs and scheduled maintenance they can also create bespoke engineering solutions for your projects.

Nationwide Calibration & Testing for Tools, Equipment & PPE

HTC is New Zealand's trusted partner for professional calibration and certification services, helping industries maintain safety, accuracy, and compliance across a wide range of tools and equipment. Whether you need a torque wrench certified, a force gauge recalibrated, or your high-voltage PPE tested, our technicians deliver results you can rely on — backed by traceable standards and decades of experience.

Explore each service below to see how HTC can help keep your tools accurate, your records up-to-date, and your teams working safely

SUPPLYING SOLUTIONS TO THE NEW ZEALAND INDUSTRY FOR OVER 40 YEARS



Torque Calibration

From manual wrenches to digital and hydraulic torque tools, we ensure precise fastening every time.



Force Calibration

Accurate measurement of tension and compression with calibrated dynamometers, gauges, and load cells.



Pressure & Vacuum

Reliable calibration of gauges, transducers, and vacuum sensors across a wide pressure range.



Gas Detection & Environmental Meters

Calibration of single and multi-gas detectors, UV light meters, temperature and humidity devices.



Weighing Equipment Calibration

Precision checks for platform scales, crane scales, and portable weighing systems.



PPE & Safety Gear Inspections

Certified inspection and tagging for harnesses, slings, shackles, and lifting gear.



Metrology & Specialty Instruments

If it measures, detects, or protects — we probably calibrate it.



Electrical Safety Calibration

Dielectric testing of gloves, mats, poles, and other liveline PPE to keep workers protected.

Calibration, Testing, & Inspection Services

Contact us!

0800 48 2000

info@htc.co.nz

Visit us!

31 Andrew Baxter Drive
Airport Oaks
Auckland 2022

31 Epsom Road
Sockburn
Christchurch 8042

Dave B.



The speed and efficiency of getting our equipment back tested and certified was second to none.

Grant C.



We had to design a Test Rig using Hydraulic Gear, HTC advised us what items we needed and supplied them and helped with us to set everything up on the Rig

Steve P.



HTC really came through on a job for us. Very helpful and the guys know their stuff. Appreciate it!

Chris M.



Stocking reliable brands of trade equipment and competitive prices. Have never let us down with our orders

ErleV.

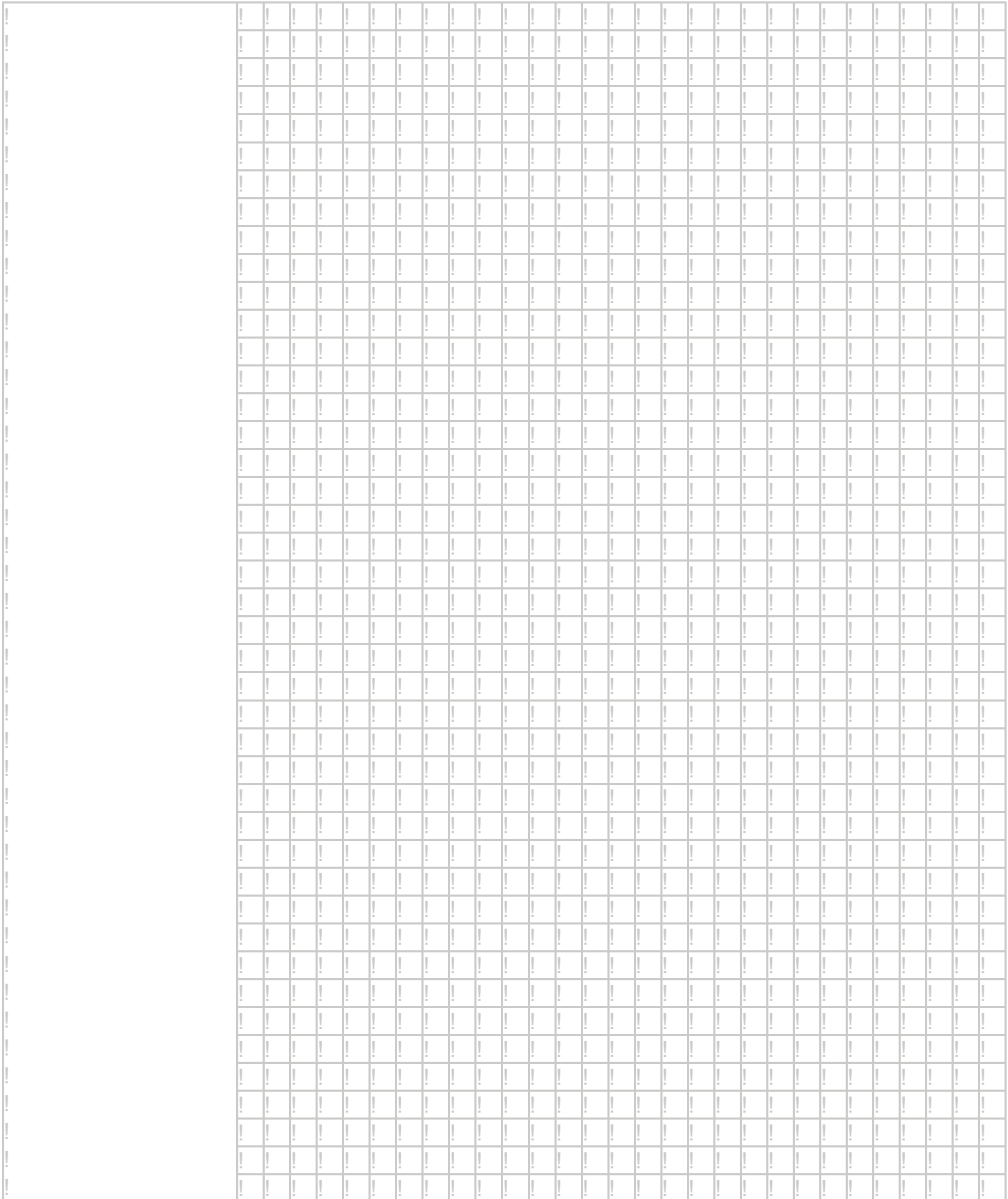


Always had good service, the crew in Christchurch go the extra mile when required and always happy to help out where possible.

Deon S.

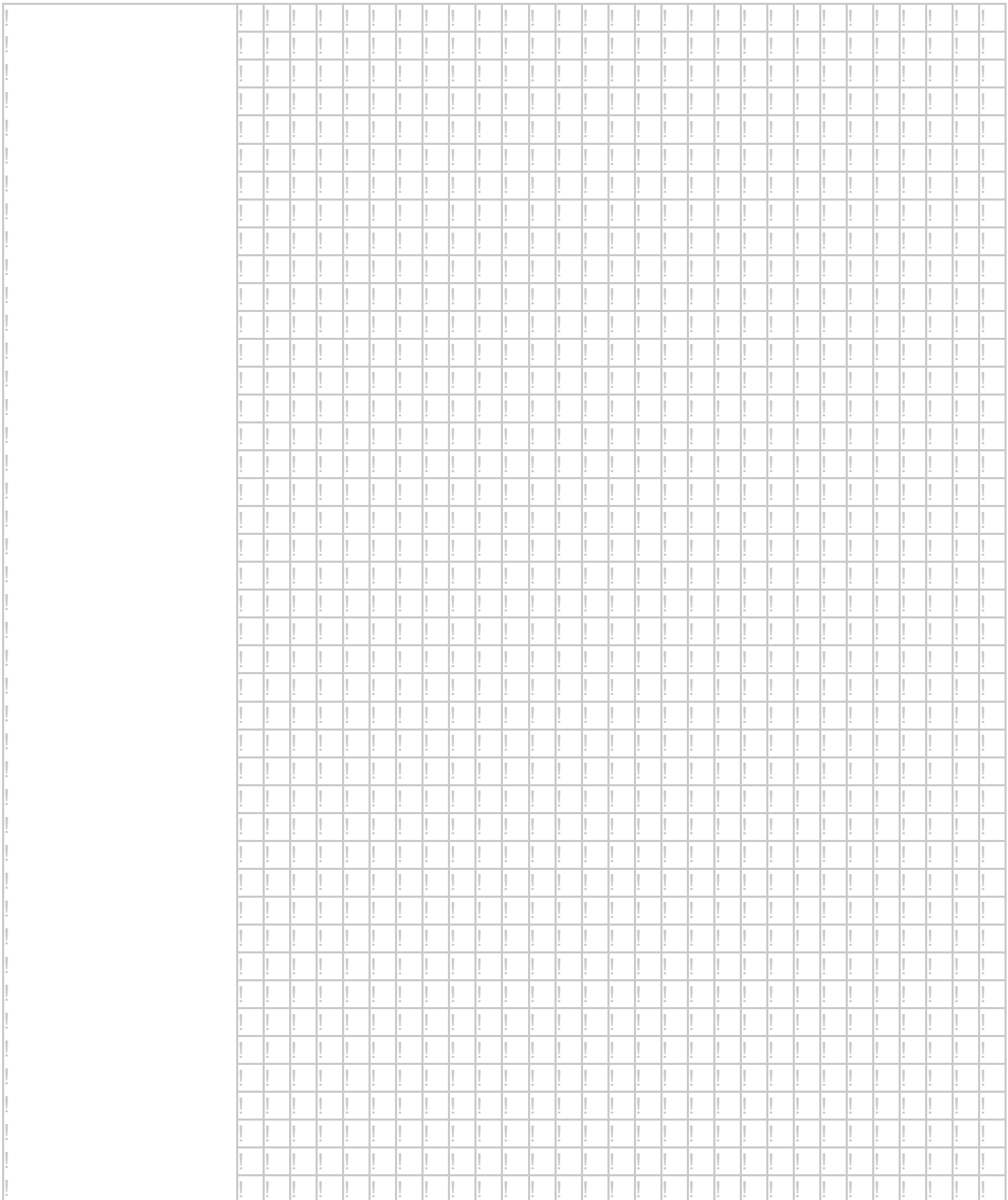


We have had great service from HTC during the year working on a large cable fault. HTC's assistance with hydraulic crimping tools has been exceptional.



Makin' the Hard Jobs Easy





Makin' the Hard Jobs Easy



Auckland

Phone: 09 271 0800
Fax: 09 271 0801

31 Andrew Baxter Drive,
Airport Oaks,
Auckland 2022

Christchurch

Phone: 03 341 0040
Fax: 03 341 0043

31 Epsom Road,
Sockburn,
Christchurch



Makin' the Hard Jobs Easy

www.htc.co.nz • info@htc.co.nz • 0800 48 2000